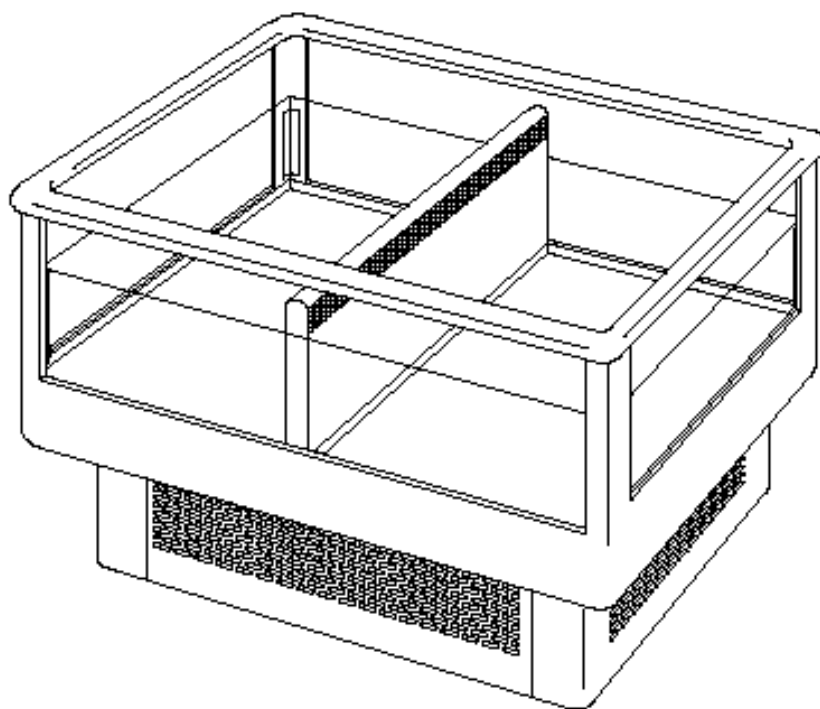
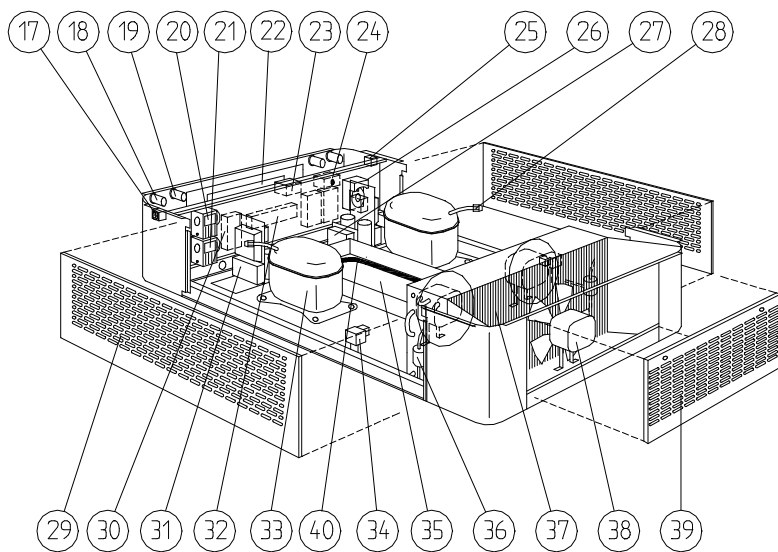
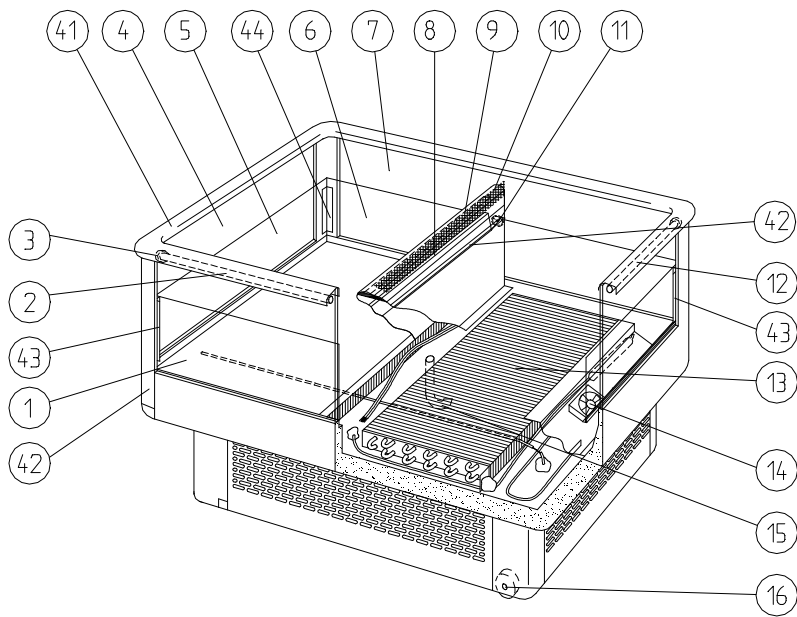
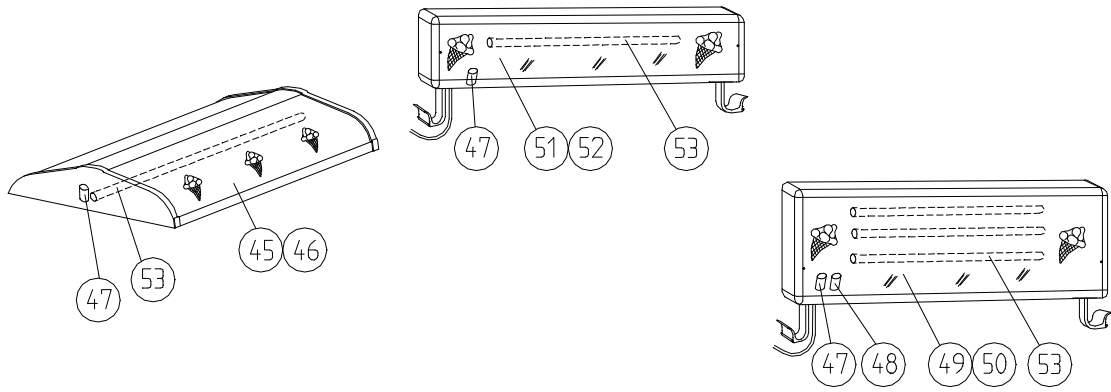




**Reservdelista  
Spare parts list  
Erzatzteile**

**CRYSTAL  
CO/COI 33**





## Spare parts list

| Pos. | Part No.      | Mod. | Designation                 | Notes                           | Serial No     |
|------|---------------|------|-----------------------------|---------------------------------|---------------|
| 1    | 36 58 543 R01 |      | Foods tray                  | State colour                    |               |
| 2    | 36 64 300 R14 |      | Fluorescent tube            | 36 W Philips TLD 84             |               |
| 2    | 36 58 531 R02 |      | Lighting cover long side    |                                 |               |
| 3    | 36 58 557 R01 |      | Fluorescent tube bracket    |                                 |               |
| 4    | 36 20 721 R01 |      | Insulation glass, end wall  | With heating                    |               |
| 5    | 36 58 263 R14 |      | Inner glass, end wall       |                                 |               |
| 6    | 36 58 547 R01 |      | Inner glass, long side      |                                 |               |
| 7    | 36 58 262 R01 |      | Insulation glass, long side |                                 |               |
| 8    | 36 58 260 R01 |      | Air supply                  |                                 |               |
| 9    | 36 56 678 R05 |      | Heating wire air inlet duct | 2000 ohm/m L = 1.65 m           |               |
| 10   | 36 58 514 R01 |      | Cover for air inlet duct    |                                 |               |
| 11   | 36 62 503 R01 |      | Thermometer                 |                                 |               |
| 12   | 36 64 300 R15 |      | Fluorescent tube            |                                 |               |
| 12   | 36 58 531 R01 |      | Lighting cover short side   |                                 |               |
| 13   | 36 58 328 R01 |      | Evaporator compl.           | With heat exchanger             |               |
| 13   | 36 58 369 R01 |      | Evaporator                  |                                 |               |
| 13   | 36 58 331 R02 |      | Heat exchanger              | 3/8" x 1070 mm/0.042" x 2400 mm |               |
| 14   | 36 55 935 R04 |      | Evaporator fan              | Elina AF 8025L-230H             | To 91302725   |
| 14   | 36 55 935 R07 |      | Evaporator fan              | Elina AF 9225T-230H             | From 91302726 |
| 15   | 36 68 003 R01 |      | Drain pipe                  | ø19 mm                          |               |
| 15   | 36 59 195 R02 |      | Drain pipe                  | ø27 mm                          |               |
| 16   | 36 58 272 R01 |      | Wheel                       |                                 |               |
| 17   | 36 66 152 R03 | COG  | Switch Refr./Freezer        |                                 |               |
| 18   | 36 64 388 R01 |      | Starter                     | 4-80 W 155/500                  |               |
| 19   | 36 64 388 R03 |      | Starter                     | 18 W series                     |               |
| 19   | 36 67 398 R02 |      | Starter bracket             |                                 |               |
| 20   | 36 56 471 R04 | COG  | Refrigeration thermostat    | Ranco 016-6924-109              | To 91803717   |
| 20   | 36 55 513 R01 | COG  | Refrigeration thermostat    | Ranco RIC 8155-K55-1            | From 91803718 |
| 20   | 36 21 832 R01 | COG  | Thermostat knob             |                                 | From 91803718 |
| 21   | 36 56 445 R03 |      | Freezing thermostat         | Ranco 016-6920-109              | To 91803717   |
| 21   | 36 55 950 R01 |      | Freezing thermostat         | Ranco RIC 8087-K55-1            | From 91803718 |
| 21   | 36 21 832 R01 |      | Thermostat knob             |                                 | From 91803718 |
| 22   | 36 58 269 R01 |      | End wall cover              | State colour                    |               |
| 23   | 36 65 063 R01 | COG  | Relay                       | Finder 6033                     | To 91803717   |
| 23   | 36 21 743 R01 |      | Relay                       | Releco C7-A20E230A              | From 91803718 |
| 24   | 36 59 141 R03 | COG  | Defrost thermostat          | Ranco K22-L2045                 | To 91803717   |
| 24   | 36 56 667 R02 | COI  | Defrost thermostat          | Ranco K22-L2062                 | To 91803717   |
| 24   | 36 59 141 R03 |      | Defrost thermostat          | Ranco K22-L2045                 | From 91803718 |
| 24   | 36 22 879 R03 |      | Defrost thermostat          |                                 |               |
| 25   | 36 57 479 R01 |      | Lighting switch             |                                 |               |
| 26   | 36 56 472 R07 | COG  | Defrost timer               | Bigatti 12 h/30 min.            | To 91803717   |
| 26   | 36 56 472 R03 | COI  | Defrost timer               | Bigatti 12 h/21 min.            | To 91803717   |
| 26   | 36 20 536 R01 |      | Defrost timer               | Ranco AR-2001-21                | From 91803718 |
| 27   | 36 56 460 R01 |      | Time delay relay            | Danfoss 117N 0001               |               |
| 28   | 36 57 284 R01 |      | Schrader valve              |                                 |               |
| 29   | 36 59 568 R01 |      | Ventilation grille, side    | State colour                    |               |
| 30   | 36 61 403 R03 | 50Hz | Ballast                     | 40 W                            |               |
| 30   | 36 61 403 R08 | 60Hz | Ballast                     | 40 W                            |               |
| 31   | 36 58 596 R01 |      | Start equipment             | 117-7012                        |               |
| 32   | 36 57 213 R21 |      | Connection block            | 21 pol                          |               |
| 33   | 36 59 405 R01 | 50Hz | Compressor                  | SC18 CL                         |               |
| 33   | 36 21 544 R02 | 60Hz | Compressor                  | SC15CL                          |               |
| 34   | 36 56 307 R05 |      | Solenoid valve              | Danfoss EVR 3 1/4"              |               |
| 35   | 36 58 287 R01 |      | Drip tray                   |                                 |               |
| 36   | 36 68 592 R02 |      | Drying filter               | Danfoss DU 032S                 |               |

| Pos. | Part No.      | Mod. | Designation                        | Notes                   | Serial No     |
|------|---------------|------|------------------------------------|-------------------------|---------------|
| 37   | 36 58 593 R01 |      | Condenser compl.                   |                         |               |
| 38   | 36 57 157 R06 | 50Hz | Condenser fan                      | Elco VNT 11-20 Ø230-28° |               |
| 38   | 36 57 157 R13 | 60Hz | Condenser fan                      | Elco VNT 11-20 Ø230-25° |               |
| 39   | 36 58 268 R01 |      | Ventilation grille, end wall       | State colour            |               |
| 40   | 36 59 236 R13 | COG  | Heating element, drip tray         | 150 W                   |               |
| 41   | 36 59 215 R01 |      | Handrail, lighting incl.           | State colour            |               |
| 41   | 36 59 214 R01 |      | Handrail, lighting excl.           | State colour            |               |
| 42   | 36 58 521 R01 |      | Profile, corner                    | State colour            |               |
| 43   | 36 58 574 R01 |      | Glass holder                       |                         |               |
| 44   | 36 58 574 R02 |      | Glass holder                       |                         |               |
| 45   | 36 59 807 R01 |      | Frosted glass f IR lighting fascia |                         |               |
| 46   | 36 59 191 R04 |      | Clear glass f IR lighting fascia   |                         |               |
| 47   | 36 64 388 R04 |      | Starter                            | Philips 4-65 W          |               |
| 48   | 36 64 388 R05 |      | Starter                            | Philips 4-22 W          |               |
| 49   | 36 58 080 R02 |      | Clear glass                        | f high light. fascia    |               |
| 50   | 36 58 079 R02 |      | Frosted glass                      | f high light. fascia    |               |
| 51   | 36 58 079 R03 |      | Frosted glass                      | f low light. fascia     |               |
| 52   | 36 58 080 R03 |      | Clear glass                        | f low light. fascia     |               |
| 53   | 36 64 300 R15 |      | Fluorescent tube                   |                         |               |
| -    | 36 63 901 R07 |      | Mains connection cable             |                         |               |
| -    | 36 67 627 R01 |      | Connection block                   | Wago 5 connections      |               |
| -    | 36 59 812 R01 |      | Ice trap                           |                         | From 53705822 |

## Reservdelslista

| Pos. | Detaljnr.     | Mod. | Benämning                | Anmärkning                  | Serienummer      |
|------|---------------|------|--------------------------|-----------------------------|------------------|
| 1    | 36 58 543 R01 |      | Varubricka               | Ange färg                   |                  |
| 2    | 36 64 300 R14 |      | Lysrör                   | 36 W Philips TLD 84         |                  |
| 2    | 36 58 531 R02 |      | Belysningskåpa långsida  |                             |                  |
| 3    | 36 58 557 R01 |      | Lysrörshållare           |                             |                  |
| 4    | 36 20 721 R01 |      | Isolerruta gavel         | Med värme                   |                  |
| 5    | 36 58 263 R14 |      | Innerglass gavel         |                             |                  |
| 6    | 36 58 547 R01 |      | Innerglass långsida      |                             |                  |
| 7    | 36 58 262 R01 |      | Isolerruta långsida      |                             |                  |
| 8    | 36 58 260 R01 |      | Tilluftdon               |                             |                  |
| 9    | 36 56 678 R05 |      | Värmetråd tilluftkanal   | 2000 ohm/m L = 1.65 m       |                  |
| 10   | 36 58 514 R01 |      | Tak för tilluftkanal     |                             |                  |
| 11   | 36 62 503 R01 |      | Termometer               |                             |                  |
| 12   | 36 64 300 R15 |      | Lysrör                   |                             |                  |
| 12   | 36 58 531 R01 |      | Belysningskåpa kortsida  |                             |                  |
| 13   | 36 58 328 R01 |      | Förångare kpl.           | Med värmeväxl.              |                  |
| 13   | 36 58 369 R01 |      | Förångare                |                             |                  |
| 13   | 36 58 331 R02 |      | Värmväxlare              | 3/8"x1070 mm/0.042"x2400 mm |                  |
| 14   | 36 55 935 R04 |      | Förångarfläkt            | Elina AF 8025L-230H         | T.o.m. 91302725  |
| 14   | 36 55 935 R07 |      | Förångarfläkt            | Elina AF 9225T-230H         | Fr.o.m. 91302726 |
| 15   | 36 68 003 R01 |      | Avloppsslang             | ø19 mm                      |                  |
| 15   | 36 59 195 R02 |      | Avloppsslang             | ø27 mm                      |                  |
| 16   | 36 58 272 R01 |      | Hjul                     |                             |                  |
| 17   | 36 66 152 R03 | COG  | Kyl/Frysomkopplare       |                             |                  |
| 18   | 36 64 388 R01 |      | Tändare                  | 4-80 W 155/500              |                  |
| 19   | 36 64 388 R03 |      | Tändare                  | 18 W serie                  |                  |
| 19   | 36 67 398 R02 |      | Tändarhållare            |                             |                  |
| 20   | 36 56 471 R04 | COG  | Kyltermostat             | Ranco 016-6924-109          | T.o.m. 91803717  |
| 20   | 36 55 513 R01 | COG  | Kyltermostat             | Ranco RIC 8185-K55-1        | Fr.o.m. 91803718 |
| 20   | 36 21 832 R01 | COG  | Termostatratt            |                             | Fr.o.m. 91803718 |
| 21   | 36 56 445 R03 |      | Frystermostat            | Ranco 016-6920-109          | T.o.m. 91803717  |
| 21   | 36 55 950 R01 |      | Frystermostat            | Ranco RIC 8087-K55-1        | Fr.o.m. 91803718 |
| 21   | 36 21 832 R01 |      | Termostatratt            |                             | Fr.o.m. 91803718 |
| 22   | 36 58 269 R01 |      | Gavellucka               | Ange färg                   |                  |
| 23   | 36 65 063 R01 | COG  | Relä                     | Finder 6033                 | T.o.m. 91803717  |
| 23   | 36 21 743 R01 |      | Relä                     | Releco C7-A20E230A          | Fr.o.m. 91803718 |
| 24   | 36 59 141 R03 | COG  | Avfrostningstermostat    | Ranco K22-L2045             | T.o.m. 91803717  |
| 24   | 36 56 667 R02 | COI  | Avfrostningstermostat    | Ranco K22-L2062             | T.o.m. 91803717  |
| 24   | 36 59 141 R03 |      | Avfrostningstermostat    | Ranco K22-L2045             | Fr.o.m. 91803718 |
| 24   | 36 22 879 R03 |      | Avfrostningstermostat    |                             |                  |
| 25   | 36 57 479 R01 |      | Belysningsbrytare        |                             |                  |
| 26   | 36 56 472 R07 | COG  | Avfrostningsur           | Bigatti 12 h/30 min.        | T.o.m. 91803717  |
| 26   | 36 56 472 R03 | COI  | Avfrostningsur           | Bigatti 12 h/21 min.        | T.o.m. 91803717  |
| 26   | 36 20 536 R01 |      | Avfrostningsur           | Ranco AR-2001-21            | Fr.o.m. 91803718 |
| 27   | 36 56 460 R01 |      | Fördröjningsrelä         | Danfoss 117N 0001           |                  |
| 28   | 36 57 284 R01 |      | Schraderventil           |                             |                  |
| 29   | 36 59 568 R01 |      | Ventilationsgaller, sida | Ange färg                   |                  |
| 30   | 36 61 403 R03 | 50Hz | Reaktor                  | 40 W                        |                  |
| 30   | 36 61 403 R08 | 60Hz | Reaktor                  | 40 W                        |                  |
| 31   | 36 58 596 R01 |      | Startutrustning          | 117-7012                    |                  |
| 32   | 36 57 213 R21 |      | Kopplingsplint           | 21 pol                      |                  |
| 33   | 36 59 405 R01 | 50Hz | Kompressor               | SC18 CL                     |                  |
| 33   | 36 21 544 R02 | 60Hz | Kompressor               | SC15CL                      |                  |
| 34   | 36 56 307 R05 |      | Magnetventil             | Danfoss EVR 3 1/4"          |                  |
| 35   | 36 58 287 R01 |      | Droppskål                |                             |                  |
| 36   | 36 68 592 R02 |      | Torkfilter               | Danfoss DU 032S             |                  |

| Pos. | Detaljnr.     | Mod. | Benämning                 | Anmärkning              | Serienummer      |
|------|---------------|------|---------------------------|-------------------------|------------------|
| 37   | 36 58 593 R01 |      | Kondensor kpl.            |                         |                  |
| 38   | 36 57 157 R06 | 50Hz | Kondensorfläkt            | Elco VNT 11-20 Ø230-28° |                  |
| 38   | 36 57 157 R13 | 60Hz | Kondensorfläkt            | Elco VNT 11-20 Ø230-25° |                  |
| 39   | 36 58 268 R01 |      | Ventilationsgaller,gavel  | Ange färg               |                  |
| 40   | 36 59 236 R13 | COG  | Värmestav droppskål       | 150 W                   |                  |
| 41   | 36 59 215 R01 |      | Handräcke inkl. belysning | Ange färg               |                  |
| 41   | 36 59 214 R01 |      | Handräcke exkl. belysning | Ange färg               |                  |
| 42   | 36 58 521 R01 |      | Hörnprofil                | Ange färg               |                  |
| 43   | 36 58 574 R01 |      | Glashållare               |                         |                  |
| 44   | 36 58 574 R02 |      | Glashållare               |                         |                  |
| 45   | 36 59 807 R01 |      | Matt skiva f IR ljuslåda  |                         |                  |
| 46   | 36 59 191 R04 |      | Klar skiva f IR ljuslåda  |                         |                  |
| 47   | 36 64 388 R04 |      | Tändare                   | Philips 4-65 W          |                  |
| 48   | 36 64 388 R05 |      | Tändare                   | Philips 4-22 W          |                  |
| 49   | 36 58 080 R02 |      | Ljusskiva klar            | Till hög ljuslåda       |                  |
| 50   | 36 58 079 R02 |      | Ljusskiva matt            | Till hög ljuslåda       |                  |
| 51   | 36 58 079 R03 |      | Ljusskiva matt            | Till låg ljuslåda       |                  |
| 52   | 36 58 080 R03 |      | Ljusskiva klar            | Till låg ljuslåda       |                  |
| 53   | 36 64 300 R15 |      | Lysrör                    |                         |                  |
| -    | 36 63 901 R07 |      | Nätanslutningskabel       |                         |                  |
| -    | 36 67 627 R01 |      | Kopplingsplint            | Wago 5 anslutningar     |                  |
| -    | 36 59 812 R01 |      | Frostfångare              |                         | Fr.o.m. 53705822 |

## Ersatzteilliste

| Pos. | Teilnr.       | Mod. | Benennung                     | Anmerkung                   | Serienr      |
|------|---------------|------|-------------------------------|-----------------------------|--------------|
| 1    | 36 58 543 R01 |      | Warenablage                   | Farbe angeben               |              |
| 2    | 36 64 300 R14 |      | Leuchstoffrohr                | 36 W Philips TLD 84         |              |
| 2    | 36 58 531 R02 |      | Beleuchtungsabdeck. Langseite |                             |              |
| 3    | 36 58 557 R01 |      | Halter, Leuchstoffrohr        |                             |              |
| 4    | 36 20 721 R01 |      | Isolierglas Giebel            | Mit Heizung                 |              |
| 5    | 36 58 263 R14 |      | Isolierglas Giebel            |                             |              |
| 6    | 36 58 547 R01 |      | Innenverglasung, Langseite    |                             |              |
| 7    | 36 58 262 R01 |      | Isolierglas, Langseite        |                             |              |
| 8    | 36 58 260 R01 |      | Zuluftversorgung              |                             |              |
| 9    | 36 56 678 R05 |      | Heizdraht Zuluftversorgung    | 2000 ohm/m L = 1.65 m       |              |
| 10   | 36 58 514 R01 |      | Dach, Zuluftversorgung        |                             |              |
| 11   | 36 62 503 R01 |      | Thermometer                   |                             |              |
| 12   | 36 64 300 R15 |      | Leuchstoffrohr                |                             |              |
| 12   | 36 58 531 R01 |      | Beleuchtungsabdeck. Kurzseite |                             |              |
| 13   | 36 58 328 R01 |      | Verdampfer kpl.               | Mit Wärmetauscher           |              |
| 13   | 36 58 369 R01 |      | Verdampfer                    |                             |              |
| 13   | 36 58 331 R02 |      | Wärmetauscher                 | 3/8"x1070 mm/0.042"x2400 mm |              |
| 14   | 36 55 935 R04 |      | Verdampferlüfter              | Elina AF 8025L-230H         | Bis 91302725 |
| 14   | 36 55 935 R07 |      | Verdampferlüfter              | Elina AF 9225T-230H         | Ab 91302726  |
| 15   | 36 68 003 R01 |      | Abflussschlauch               | ø19 mm                      |              |
| 15   | 36 59 195 R02 |      | Abflussschlauch               | ø27 mm                      |              |
| 16   | 36 58 272 R01 |      | Rolle                         |                             |              |
| 17   | 36 66 152 R03 | COG  | Kühl/Gefrierumschalter        |                             |              |
| 18   | 36 64 388 R01 |      | Starter                       | 4-80 W 155/500              |              |
| 19   | 36 64 388 R03 |      | Starter                       | 18 W Serie                  |              |
| 19   | 36 67 398 R02 |      | Halter, Starter               |                             |              |
| 20   | 36 56 471 R04 | COG  | Kühlthermostat                | Ranco 016-6924-109          | Bis 91803717 |
| 20   | 36 55 513 R01 | COG  | Kühlthermostat                | Ranco RIC 8185-K55-1        | Ab 91803718  |
| 20   | 36 21 832 R01 | COG  | Thermostatknopf               |                             | Ab 91803718  |
| 21   | 36 56 445 R03 |      | Gefrierthermostat             | Ranco 016-6920-109          | Bis 91803717 |
| 21   | 36 55 950 R01 |      | Gefrierthermostat             | Ranco RIC 8087-K55-1        | Ab 91803718  |
| 21   | 36 21 832 R01 |      | Thermostatknopf               |                             | Ab 91803718  |
| 22   | 36 58 269 R01 |      | Giebelabdeckung               | Farbe angeben               |              |
| 23   | 36 65 063 R01 | COG  | Relais                        | Finder 6033                 | Bis 91803717 |
| 23   | 36 21 743 R01 |      | Relais                        | Releco C7-A20E230A          | Ab 91803718  |
| 24   | 36 59 141 R03 | COG  | Abtauthermostat               | Ranco K22-L2045             | Bis 91803717 |
| 24   | 36 56 667 R02 | COI  | Abtauthermostat               | Ranco K22-L2062             | Bis 91803717 |
| 24   | 36 59 141 R02 |      | Abtauthermostat               | Ranco K22-L2045             | Ab 91803718  |
| 24   | 36 22 879 R03 |      | Abtauthermostat               |                             |              |
| 25   | 36 57 479 R01 |      | Beleuchtungsschalter          |                             |              |
| 26   | 36 56 472 R07 | COG  | Abtauuhr                      | Bigatti 12 h/30 min.        | Bis 91803717 |
| 26   | 36 56 472 R03 | COI  | Abtauuhr                      | Bigatti 12 h/21 min.        | Bis 91803717 |
| 26   | 36 20 536 R01 |      | Abtauuhr                      | Ranco AR-2001-21            | Ab 91803718  |
| 27   | 36 56 460 R01 |      | Verzögerungsrelais            | Danfoss 117N 0001           |              |
| 28   | 36 57 284 R01 |      | Schraderventil                |                             |              |
| 29   | 36 59 568 R01 |      | Ventilationsabdeck, Seite     | Farbe angeben               |              |
| 30   | 36 61 403 R03 | 50Hz | Reaktor                       | 40 W                        |              |
| 30   | 36 61 403 R08 | 60Hz | Reaktor                       | 40 W                        |              |
| 31   | 36 58 596 R01 |      | Startausrüstung               | 117-7012                    |              |
| 32   | 36 57 213 R21 |      | Kupplungsleiste               | 21 pol                      |              |
| 33   | 36 59 405 R01 | 50Hz | Kompressor                    | SC18 CL                     |              |
| 33   | 36 21 544 R02 | 60Hz | Kompressor                    | SC15 CL                     |              |
| 34   | 36 56 307 R05 |      | Magnetventil                  | Danfoss EVR 3 1/4"          |              |
| 35   | 36 58287 R01  |      | Verdunstungsschale            |                             |              |
| 36   | 36 68 592 R02 |      | Trocknerfilter                | Danfoss DU 032S             |              |

| Pos. | Teilnr.       | Mod. | Benennung                      | Anmerkung               | Serienr     |
|------|---------------|------|--------------------------------|-------------------------|-------------|
| 37   | 36 58 593 R01 |      | Kondensator kpl.               |                         |             |
| 38   | 36 57 157 R06 | 50Hz | Kondensatorlüfter              | Elco VNT 11-20 Ø230-28° |             |
| 38   | 36 57 157 R13 | 60Hz | Kondensatorlüfter              | Elco VNT 11-20 Ø230-25° |             |
| 39   | 36 58 268 R01 |      | Ventilationsabdeck., Giebel    | Farbe angeben           |             |
| 40   | 36 59 236 R13 | COG  | Heizstab, Verdunstungsschale   | 150 W                   |             |
| 41   | 36 59 215 R01 |      | Handleiste mit Beleuchtung     | Farbe angeben           |             |
| 41   | 36 59 214 R01 |      | Handleiste ohne Beleuchtung    | Farbe angeben           |             |
| 42   | 36 58 521 R01 |      | Profil, Ecke                   | Farbe angeben           |             |
| 43   | 36 58 574 R01 |      | Glashalter                     |                         |             |
| 44   | 36 58 574 R02 |      | Glashalter                     |                         |             |
| 45   | 36 59 807 R01 |      | Matte Scheibe f Bel.konsole IR |                         |             |
| 46   | 36 59 191 R04 |      | Klare Scheibe f Bel.konsole IR |                         |             |
| 47   | 36 64 388 R04 |      | Starter                        | Philips 4-65 W          |             |
| 48   | 36 64 388 R05 |      | Starter                        | Philips 4-22 W          |             |
| 49   | 36 58 080 R02 |      | Klare Scheibe                  | f hohe Bel.konsole      |             |
| 50   | 36 58 079 R02 |      | Matte Scheibe                  | f hohe Bel.konsole      |             |
| 51   | 36 58 079 R03 |      | Matte Scheibe                  | f niedrige Bel.konsole  |             |
| 52   | 36 58 080 R03 |      | Klare Scheibe                  | f niedrige Bel.konsole  |             |
| 53   | 36 64 300 R15 |      | Leuchtstoffrohr                |                         |             |
| -    | 36 63 901 R07 |      | Netzanschlusskabel             |                         |             |
| -    | 36 67 627 R01 |      | Kupplungsleiste                | Wago 5 Anschlüsse       |             |
| -    | 36 59 812 R01 |      | Frostfänger                    |                         | Ab 53705822 |



## Liste des pièce de detachée

| Pos. | Pièce No.     | Mod. | Désignation                                     | Comm.                       | Série de No.         |
|------|---------------|------|---|-----------------------------|----------------------|
| 1    | 36 58 543 R01 |      | Plateau de fond                                 | Indiquer la couleur         |                      |
| 2    | 36 64 300 R14 |      | Tube fluorescent                                | 36 W Philips TLD 84         |                      |
| 2    | 36 58 531 R02 |      | Enveloppe d'éclairage, long côté                |                             |                      |
| 3    | 36 58 557 R01 |      | Support du tube fluorescent                     |                             |                      |
| 4    | 36 20 721 R01 |      | Vitrage isolant, joue                           | Avec chaleur                |                      |
| 5    | 36 58 263 R14 |      | Vitrage intérieur, joue                         |                             |                      |
| 6    | 36 58 547 R01 |      | Vitrage intérieur, long côté                    |                             |                      |
| 7    | 36 58 262 R01 |      | Vitrage isolant, long côté                      |                             |                      |
| 8    | 36 58 260 R01 |      | Distributeur d'air                              |                             |                      |
| 9    | 36 56 678 R05 |      | Cordon chauffant, conduit de distribution d'air | 2000 ohm/m L = 1.65 m       |                      |
| 10   | 36 58 514 R01 |      | Couverture du conduit de distr. d'air           |                             |                      |
| 11   | 36 62 503 R01 |      | Thermomètre                                     |                             |                      |
| 12   | 36 64 300 R15 |      | Tube fluorescent                                |                             |                      |
| 12   | 36 58 531 R01 |      | Enveloppe d'éclairage, joue                     |                             |                      |
| 13   | 36 58 328 R01 |      | Evaporateur compl.                              | avec échangeur de chaleur   |                      |
| 13   | 36 58 369 R01 |      | Evaporateur                                     |                             |                      |
| 13   | 36 58 331 R02 |      | Echangeur de chaleur                            | 3/8"x1070 mm/0.042"x2400 mm |                      |
| 14   | 36 55 935 R04 |      | Ventilateur d'évaporateur                       | Elina AF 8025L-230H         | jusqu'au<br>91302725 |
| 14   | 36 55 935 R07 |      | Ventilateur d'évaporateur                       | Elina AF 9225T-230H         | de 91302726          |
| 15   | 36 68 003R01  |      | Tuyau d'écoulement                              | ø19 mm                      |                      |
| 15   | 36 59 195 R02 |      | Tuyau d'écoulement                              | ø27 mm                      |                      |
| 16   | 36 58 272 R01 |      | Roulette  |                             |                      |
| 17   | 36 66 152 R03 | COG  | Commutateur réfr./congélation                   |                             |                      |
| 18   | 36 64 388 R01 |      | Starter   | 4-80 W 155/500              |                      |
| 19   | 36 64 388 R03 |      | Starter   | 18 W série                  |                      |
| 19   | 36 67 398 R02 |      | Support de starter                              |                             |                      |
| 20   | 36 56 471 R04 | COG  | Thermostat de réfrigération                     | Ranco 016-6924-109          | jusqu'au<br>91803717 |
| 20   | 36 55 513 R01 | COG  | Thermostat de réfrigération                     | Ranco RIC 8185-K551         | de 91803718          |
| 20   | 36 21 832 R01 | COG  | Bouton de thermostat                            |                             | de 91803718          |
| 21   | 36 56 445 R03 |      | Thermostat de congélation                       | Ranco 016-6920-109          | jusqu'au<br>91803717 |
| 21   | 36 55 950 R01 |      | Thermostat de congélation                       | Ranco RIC 8087-K55-1        | de 91803718          |
| 21   | 36 21 832 R01 |      | Bouton de thermostat                            |                             | de 91803718          |
| 22   | 36 58 269 R01 |      | Porte de joue                                   | Indiquer la couleur         |                      |
| 23   | 36 65 063 R01 | COG  | Relais  | Finder 6033                 | jusqu'au<br>91803717 |
| 23   | 36 21 743 R01 |      | Relais  | Releco C7-A20E230A          | de 91803718          |
| 24   | 36 59 141 R03 | COG  | Thermostat de dégivrage                         | Ranco K22-L2045             | jusqu'au<br>91803717 |
| 24   | 36 56 667 R02 | COI  | Thermostat de dégivrage                         | Ranco K22-L2062             | jusqu'au<br>91803717 |
| 24   | 36 59 141 R03 |      | Thermostat de dégivrage                         | Ranco K22-L2045             | de 91803718          |
| 24   | 36 22 879 R03 |      | Thermostat de dégivrage                         |                             |                      |
| 25   | 36 57 479 R01 |      | Interrupteur d'éclairage                        |                             |                      |
| 26   | 36 56 472 R07 | COG  | Pendule de dégivrage                            | Bigatti 12 h/30 min.        | jusqu'au<br>91803717 |
| 26   | 36 56 472 R03 | COI  | Pendule de dégivrage                            | Bigatti 12 h/21 min.        | jusqu'au<br>91803717 |
| 26   | 36 20 536 R01 |      | Pendule de dégivrage                            | Ranco AR-2001-21            | de 91803718          |
| 27   | 36 56 460 R01 |      | Relais de temporisation                         | Danfoss 117N 0001           |                      |
| 28   | 36 57 284 R01 |      | Vanne Schrader                                  |                             |                      |
| 29   | 36 59 568 R01 |      | Grille ventilation, côté                        | Indiquer la couleur         |                      |
| 30   | 36 61 403 R03 | 50Hz | Réacteur  | 40 W                        |                      |
| 30   | 36 61 403 R08 | 60Hz | Réacteur  | 40 W                        |                      |

| Pos. | Pièce No.     | Mod. | Désignation                               | Comm.                          | Série de No. |
|------|---------------|------|---|--------------------------------|--------------|
| 31   | 36 58 596 R01 |      | Equipement de démarrage                   | 117-7012                       |              |
| 32   | 36 57 213 R21 |      | Plinthe de connexions                     | 21 pol                         |              |
| 33   | 36 59 405 R01 | 50Hz | Compresseur                               | SC18 CL                        |              |
| 33   | 36 21 544 R02 | 60Hz | Compresseur                               | SC15 CL                        |              |
| 34   | 36 56 307 R05 |      | Vanne solénoïde                           | Danfoss EVR 3 1/4"             |              |
| 35   | 36 58 287 R01 |      | Bac de dégivrage                          |                                |              |
| 36   | 36 68 592 R02 |      | Déshydrateur                              | Danfoss DU 032S                |              |
| 37   | 36 58 593 R01 |      | Condenseur compl                          |                                |              |
| 38   | 36 57 157 R06 | 50Hz | Ventilateur de condenseur                 | Elco VNT 11-20 Ø230-28°        |              |
| 38   | 36 57 157 R13 | 60Hz | Ventilateur de condenseur                 | Elco VNT 11-20 Ø230-25°        |              |
| 39   | 36 58 268 R01 |      | Grille de ventilation, joue               | Indiquer la couleur            |              |
| 40   | 36 59 236 R13 | COG  | Elément chauffant, bac de dégiv.          | 150 W                          |              |
| 41   | 36 59 215 R01 |      | Main courrante avec éclairage             | Indiquer la couleur            |              |
| 41   | 36 59 214 R01 |      | Main courrante sans éclairage             | Indiquer la couleur            |              |
| 42   | 36 58 521 R01 |      | Profil de coin                            | Indiquer la couleur            |              |
| 43   | 36 58 574 R01 |      | Support de vitrage                        |                                |              |
| 44   | 36 58 574 R02 |      | Support de vitrage                        |                                |              |
| 45   | 36 59 807 R01 |      | Panneau opaque, bandeau d'éclairage IR    |                                |              |
| 46   | 36 59 191 R04 |      | Panneau transparent, band. d'éclairage IR |                                |              |
| 47   | 36 64 388 R04 |      | Starter                                   | Philips 4-65 W                 |              |
| 48   | 36 64 388 R05 |      | Starter                                   | Philips 4-22 W                 |              |
| 49   | 36 58 080 R02 |      | Panneau transparent                       | pour band. d'éclairage, grande |              |
| 50   | 36 58 079 R02 |      | Panneau opaque                            | pour band. d'éclairage, grande |              |
| 51   | 36 58 079 R03 |      | Panneau opaque                            | pour band. d'éclairage, bas    |              |
| 52   | 36 58 080 R03 |      | Panneau transparent                       | pour band. d'éclairage, bas    |              |
| 53   | 36 64 300 R15 |      | Tube fluorescent                          |                                |              |
| -    | 36 63 901 R07 |      | Câble pour branchement sur le réseau      |                                |              |
| -    | 36 67 627 R01 |      | Plinthe de connexions                     | Wago 5 connexions              |              |
| -    | 36 59 812 R01 |      | Dispositif pour "captiver" le givre       |                                | de 53705822  |



**Spare parts distribution by:**

**Carrier ERD Parts Center  
Finnamyrsvägen 4  
SE-360 44 Ingelstad, Sweden**

**Phone: +46 470 38290 - 38291**

**Fax: +46 470 38296**

**e-mail: [parts.erdswe@carrier.utc.com](mailto:parts.erdswe@carrier.utc.com)**