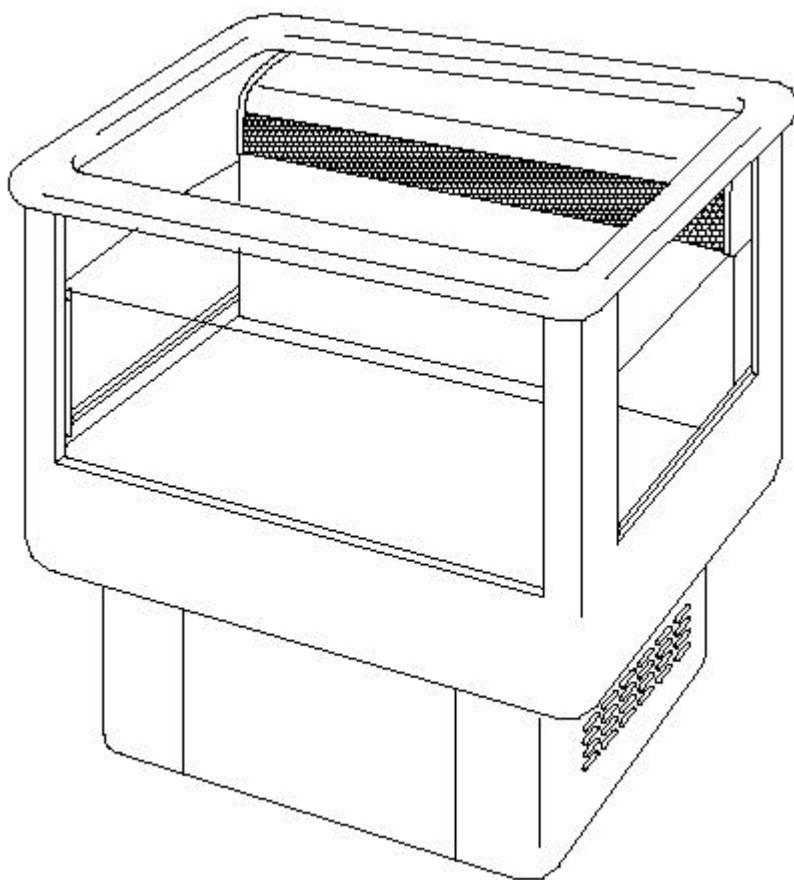


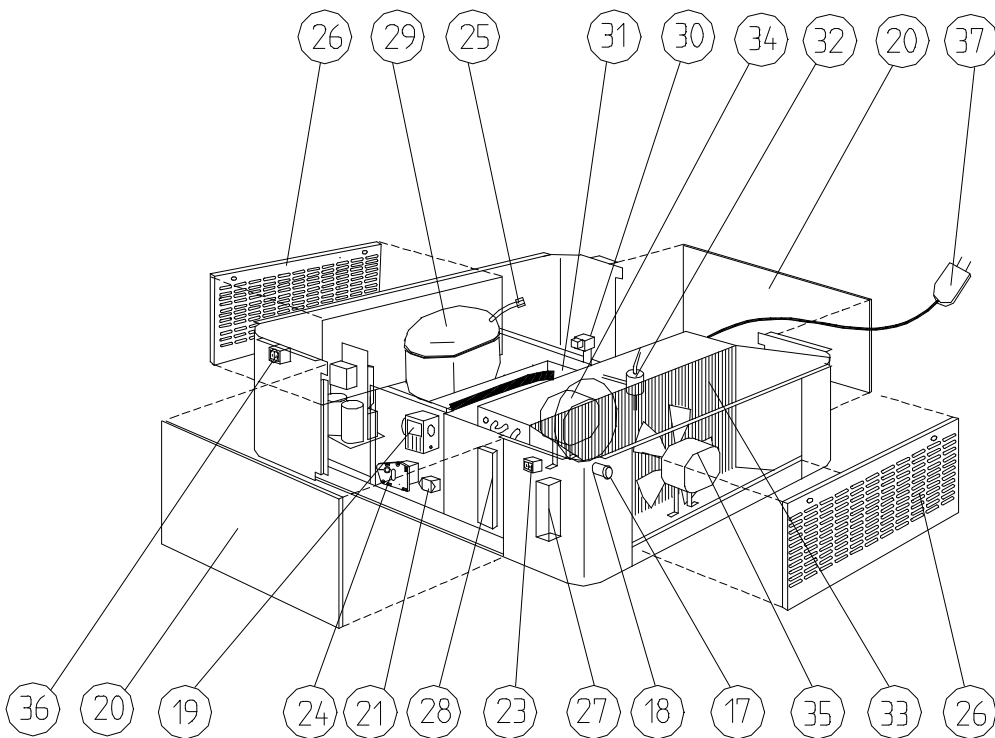
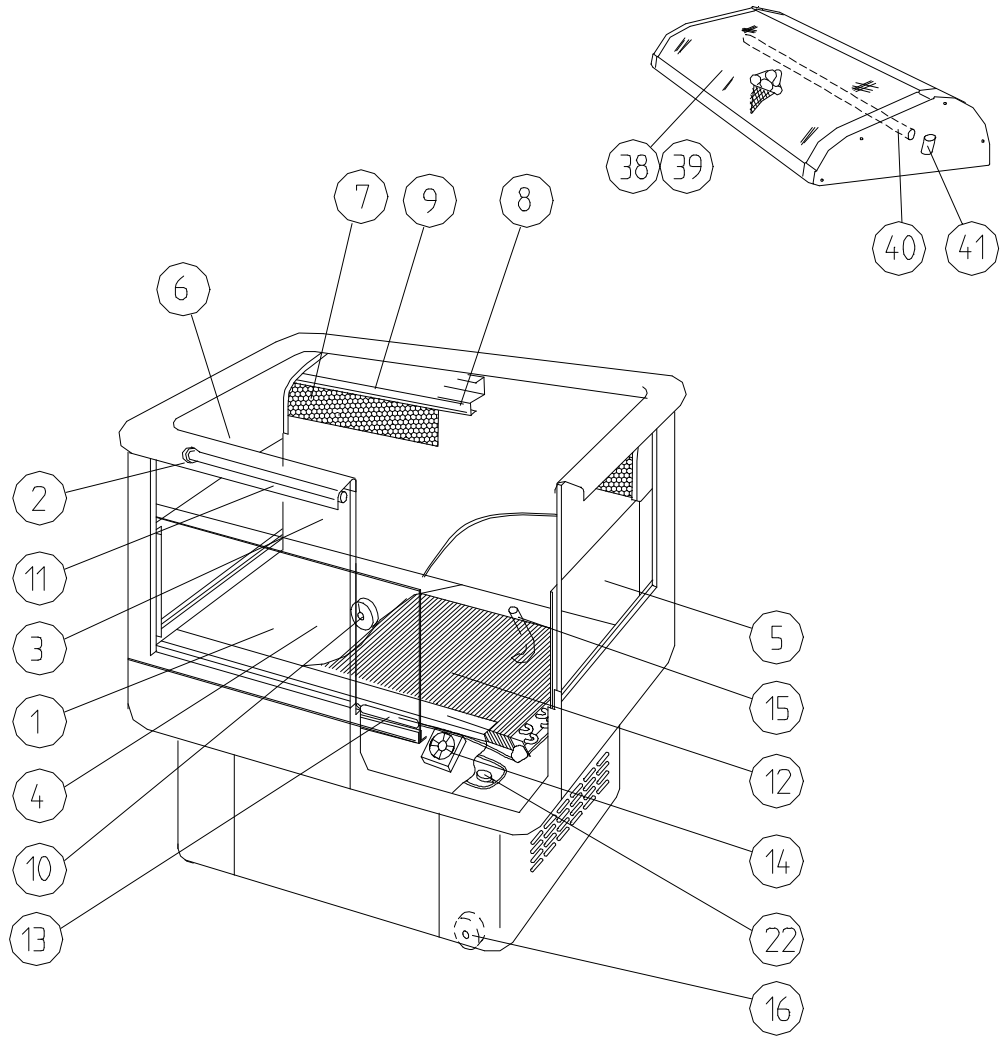


---

# RESERVDPELLISTA SPARE PARTS LIST

## CRYSTAL GONDOLAS COI7US





## Spare parts list

Pos.	Part No.	Designation	Notes	Serial No
1	36 58 543R01	Foods tray		
2	36 58 557R02	Fluorescent tube bracket	BJB 26.421.4404.50	
3	36 20 721R03	Insulation glass, front	With heating 44W 115V/60Hz	
4	36 58 263R18	Inner glass, front		
5	36 58 263R19	Inner glass, side		
6	36 58 262R06	Insulation glass, side		
7	36 58 260R03	Air supply		
8	36 56 678R11	Heating wire air inlet duct	152 ohm/feet, L=4.9 feet	
9	36 58 975R02	Cover for air inlet duct		
10	36 62 503R02	Thermometer		
11	36 64 300R15	Fluorescent tube	18 W Philips TLD84	
11	36 58 531R01	Lighting cover front		
12	36 58 328R02	Evaporator compl.	With heat exchanger	
12	36 58 369R01	Evaporator		
13	36 58 331R03	Heat exchanger	3/8" x 42.1"/0.042" x 94.5"	
14	36 55 935R06	Evaporator fan	AF9225 T 115H 115V/60Hz	
15	36 65 788R21	Drain pipe		
16	36 58 272R01	Wheel		
17	36 64 388R05	Starter	Philips S2 120V	
18	36 67 398R01	Starter bracket	Vossloh Schwabe 02110.0305	
19	36 21 768R02	Freezing thermostat	Ranco 016-H5921	
20	36 59 569R01	Cover front, back		
21	36 21 769R01	Defrost Relay	Releco C7-A20E 115V/60Hz	
22	36 21 770R01	Defrost thermostat	Elmwood 2570 F013	
23	36 57 479R01	Lighting switch		
24	36 20 536R02	Defrosttimer	Paragon B1401-00 115V/60Hz	
25	36 57 284R01	Schrader valve		
26	36 58 268R01	Ventilation grille, side		
27	36 61 403R11	Ballast	Vossloh Schwabe L20-216 115V/60Hz	
28	36 57 213R15	Connection block	15 pol	
29	36 21 600R01	Compressor	Americold HP.127-1-3615 115V/60Hz	
30	36 56 307R07	Solenoid valve	Danfoss EVR 3 1/4" 115V/60Hz	
31	36 58 287R02	Drip tray		
32	36 68 593R02	Drying filter	Danfoss DU 032S	
33	36 59 084R01	Condenser compl.		
34	36 57 157R17	Condenser fan	EMI 82UL2009/115V Ø9.1 in. PITCH=25°	
35	36 57 157R18	Condenser cleaning fan	EMI 82UL2009/115V Ø9.1 in. PITCH=25°	
36	36 21 886R01	Mains Switch	Carling 2GK721-D3BB, 20A 1,5hp 125 VAC	
37	36 21 579R02	Mains plug	NEMA 5-15P	
38	36 59 807R01	Frosted glass f IR lighting fascia		
39	36 59 191R04	Clear glass f IR lighting fascia		
40	36 64 300R15	Fluorescent tube		
41	36 64 388R05	Starter	4-22W	



**Spare parts distribution by:**

**Carrier ERD Parts Center  
Finnamyrsvägen 4  
SE-360 44 Ingelstad, Sweden**

**Phone: +46 470 38290 - 38291**

**Fax: +46 470 38296**

**e-mail: [parts.erdswe@carrier.utc.com](mailto:parts.erdswe@carrier.utc.com)**