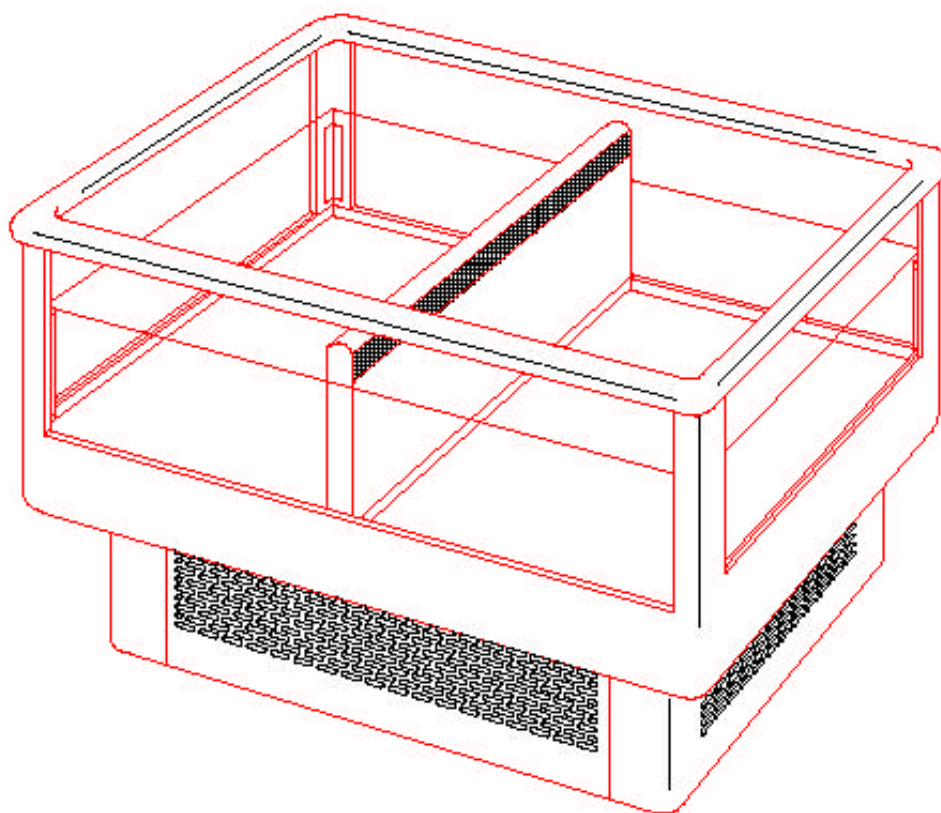


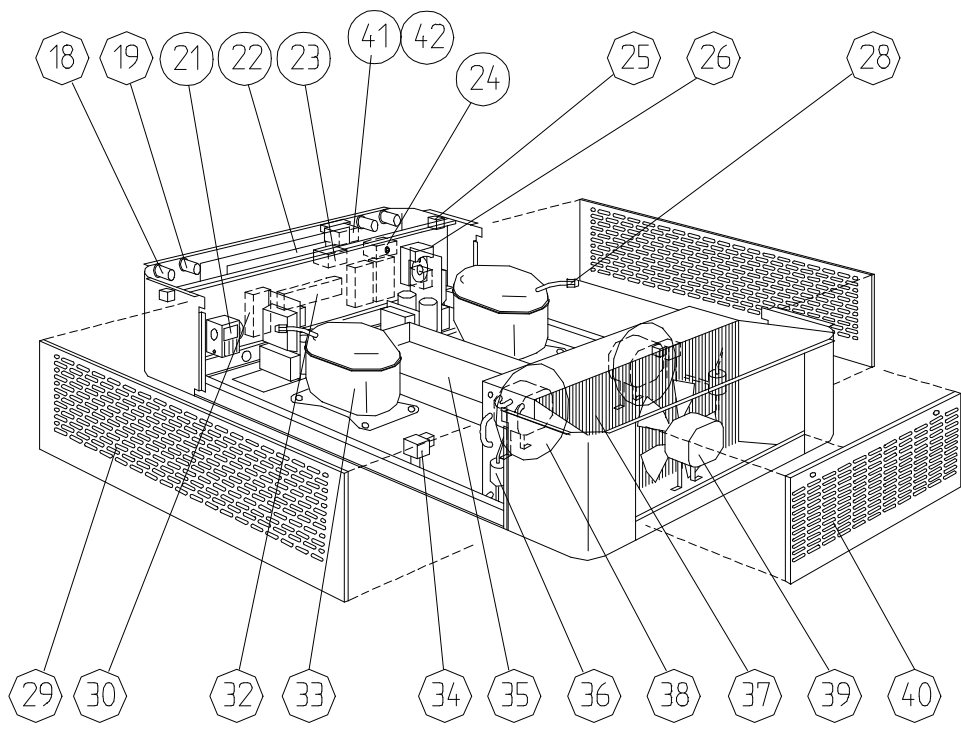
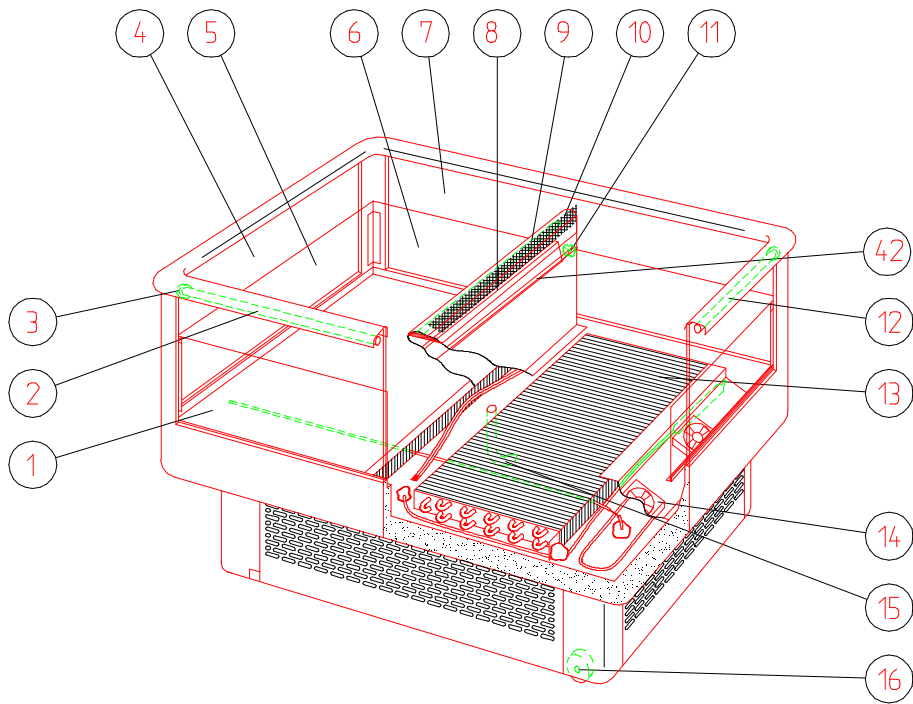
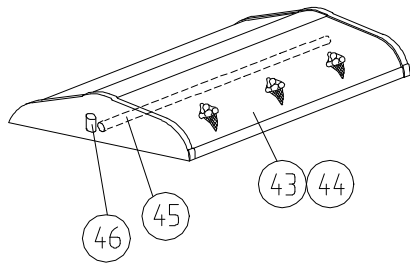


---

# RESERVDPELLISTA SPARE PARTS LIST

## CRYSTAL GONDOLAS CO33US





## Spare parts list

Pos.	Part No.	Designation	Notes	Serial No
1	36 58 543R01	Foods tray		
2	36 64 300R14	Fluorescent tube	36 W Philips TLD 84	
2	36 58 531R02	Lighting cover long side		
3	36 58 557R02	Fluorescent tube bracket	BJB 26.421.4404.50	
4	36 20 721R03	Insulation glass, end wall	With heating 44W 115V/60Hz	
5	36 58 263R18	Inner glass, end wall		
6	36 58 547R02	Inner glass, long side		
7	36 58 262R05	Insulation glass, long side		
8	36 58 260R01	Air supply		
9	36 56 678R10	Heating wire air inlet duct	152 ohm/feet, L=5.41 feet	
10	36 58 514R02	Cover for air inlet duct		
11	36 62 503R02	Thermometer		
12	36 64 300R15	Fluorescent tube	18 W Philips TLD84	
12	36 58 531R01	Lighting cover short side		
13	36 58 328R01	Evaporator compl.	With heat exchanger	
13	36 58 369R01	Evaporator		
13	36 58 331R02	Heat exchanger	3/8" x 42.1"/0.042" x 94.5"	
14	36 55 935R06	Evaporator fan	AF9225 T 115H 115V/60Hz	
15	36 59 195R02	Drain pipe		
16	36 58 272R01	Wheel		
18	36 64 388R04	Starter	Philips S10 230V	
18	36 64 388R05	Starter	Philips S2 120V	
19	36 67 398R01	Starter bracket	Vossloh Schwabe 02110.0305	
21	36 21 768R02	Freezing thermostat	Ranco 016-H5921	
22	36 58 269R01	End wall cover		
23	36 21 769R01	Defrost Relay	Releco C7-A20E 115V/60Hz	
24	36 21 770R01	Defrost thermostat	Elmwood 2570 F013	
25	36 57 479R01	Lighting switch		
26	36 20 536R02	Defrosttimer	Paragon B1401-00 115V/60Hz	
28	36 57 284R01	Schrader valve		
29	36 59 568R01	Ventilation grille, side		
30	36 61 403R11	Ballast	Vossloh Schwabe L20-216 115V/60Hz	
30	36 61 403R12	Ballast	Vossloh Schwabe SL40-314 115V/60Hz	
32	36 57 213R21	Connection block	21 pol	
33	36 21 600R01	Compressor	Americold HP.127-1-3615 115V/60Hz	
34	36 56 307R07	Solenoid valve	Danfoss EVR 3 1/4", GP1203 115V/60Hz	
35	36 58 287R01	Drip tray		
36	36 68 592R02	Drying filter	Danfoss DU 032S	
37	36 58 592R02	Condenser compl.		
38	36 57 157R12	Condenser fan	EMI 82UL-2009/115V Ø9.1 in. PITCH=25°	
39	36 57 157R15	Condenser cleaning fan	EMI 82UL-2009/115V Ø9.1 in. PITCH=25°	
40	36 58 268R01	Ventilation grille, end wall		
-	36 59 812R01	Ice trap		
-	36 21 886R01	Mains Switch	Carling 2GK721-D3BB, 20A 1,5 hp 125 VAC	
-	36 21 579R01	Mains plug	Hubbell HBL5366C, NEMA 5-20P	
41	36 22 853R01	Time delay	Crouzet MAR1	from 00300066
42	36 55 476R03	Contacteur	Lovato MC9.10	
43	36 59 807R01	Frosted glass f vert. light fascia		
44	36 59 191R04	Clear glass f vert. light fascia		
45	36 64 300R15	Fluorescent tube	18 W Philips TLD84	
46	36 64 388R05	Starter	4-22W	



**Spare parts distribution by:**

**Carrier ERD Parts Center  
Finnamyrsvägen 4  
SE-360 44 Ingelstad, Sweden**

**Phone: +46 470 38290 - 38291**

**Fax: +46 470 38296**

**e-mail: [parts.erdswe@carrier.utc.com](mailto:parts.erdswe@carrier.utc.com)**