



SPARE PARTS CATALOUGE RESERVDELSKATALOG



**WB-250-1, WB-375-1
WB-250-2, WB-375-2**

**COMBISET WITHOUT CANOPY UPO-LINE
KOMBIDISK UTAN TAKLÅDA UPO-LINE**

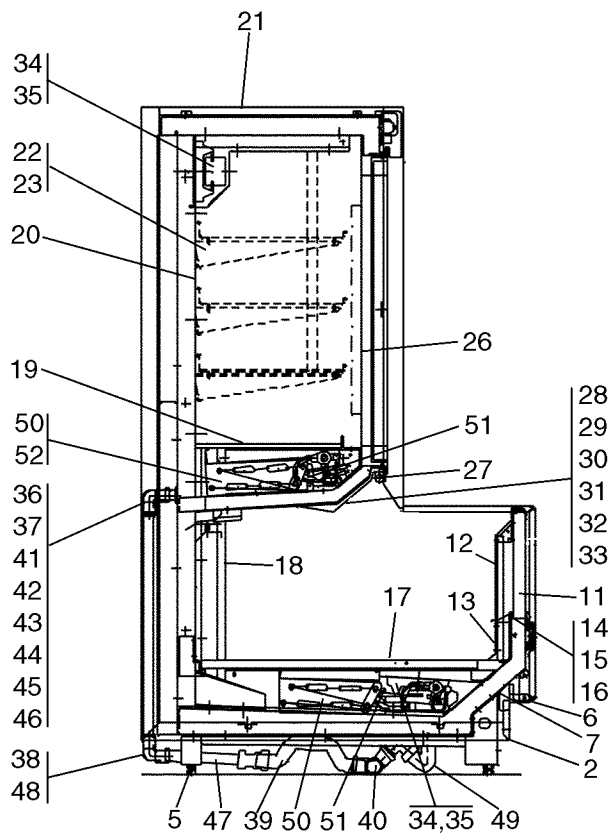
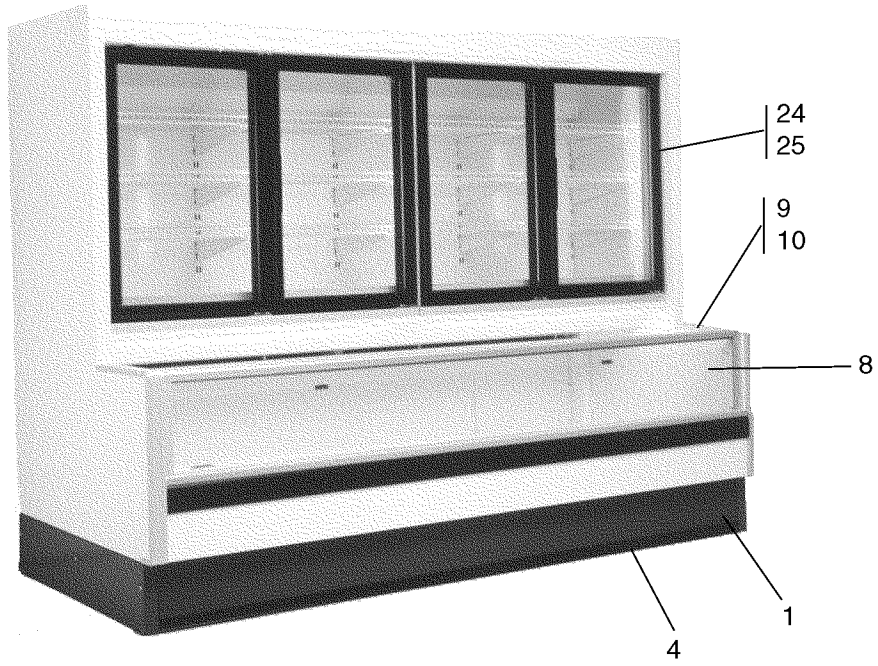
Utgåveförteckning

WB-250-1,WD-375-1,WB-375-1

Illustration	Page	Table of contents
200076	13	Spare part for accessories
200232	3	Basic details, cabinet
200233	7	Design details, cabinet
200234	9	Endwall details
200235	11	Design details, endwalls

WB-250-1,WD-375-1,WB-375-1

Table of contents	Innehållsförteckning	Page/Sida
Basic details, cabinet	Grunddetaljer, disk	3
Design details, cabinet	Design detaljer, disk	7
Endwall details	Gaveldetaljer	9
Design details, endwalls	Design detaljer, gavlar	11
Spare part for accessories	Reservdelar för tillbehör	13

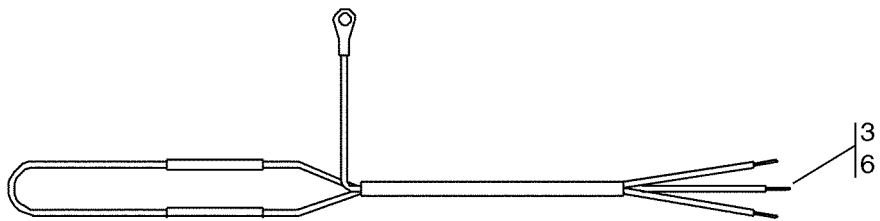
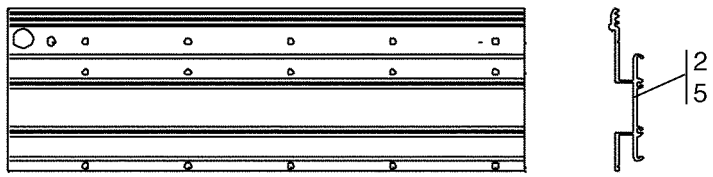
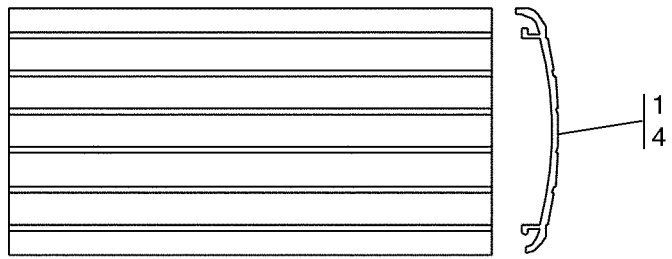


WB-250/375-1 – WB-250/375-2

BASIC DETAILS - GRUNDETALJER

Pos	WB-250-1	WB-375-1	WB-250-2	WB-375-2	ITEM NO	DESCRIPTION	BENÄMNING	NOTE !
1	1		1		S4660009416901	BASEPANEL PERFORATED INCL HOLE FOR KEY SWITCHER	SOCKEL PEROFORERAD MED HÅL FÖR NYCKELBRYTARE	L=2500, CHOOSE COLOUR
		2		2	S4660009416902	BASEPANEL PERFORATED INCL HOLE FOR KEY SWITCHER	SOCKEL PEROFORERAD MED HÅL FÖR NYCKELBRYTARE	L=1875, CHOOSE COLOUR
2	1		1		S4660009406901	BASEPANEL HOLDER, UNPAINTED	SOCKELFÄSTE, EJ LACKERAD	L=2500
		2		2	S4660009406902	BASEPANEL HOLDER, UNPAINTED	SOCKELFÄSTE, EJ LACKERAD	L=1875
3	1	2	1	2	S4660009474302	LOCK FOR KEY SWITCHER	PLÅTLOCK FÖR NYCKELBRYTARE	CHOOSE COLOUR
4	1		1		S4660009354505	BASEPANEL STRIP	GOLVLIST SOCKEL	L=2500, BLACK
		2		2	S4660009354504	BASEPANEL STRIP	GOLVLIST SOCKEL	L=1875, BLACK
5	6	8	6	8	S4660009437501	ADJUSTABLE FOOT	STÄLLFOT	
6	3	6	3	6	S4660009412401	BASEPANEL SUPPORT	STÖD FRONTPLÅT	
7	1		1		S466094067017F	COVERPLATE U-LINE	TÄCKPLÅT U-LINE	L=2500, GREY RAL 7035
7		1		1	S466094067027F	COVERPLATE RIGHT U-LINE	TÄCKPLÅT HÖGER U-LINE	L=1875, GREY RAL 7035
7		1		1	S466094753017F	COVERPLATE LEFT U-LINE	TÄCKPLÅT VÄNSTER U-LINE	L=1875, GREY RAL 7035
8	1		1		S4660009426001	INSULATING GLASS	ISOLERGLAS	DIM: 31x316x2495
		1		1	S4660009426002	INSULATING GLASS	ISOLERGLAS	DIM: 31x316x3745
9	1		1		S4660009400101	HANDRAIL – ANODISED	AL-PROFIL SARG ELOXERAD	L=2500
		1		1	S4660009400102	HANDRAIL – ANODISED	AL-PROFIL SARG ELOXERAD	L=3750
10	1		1		S4660009277604	HEATING WIRE	VÄRMETRÅD	63W/230V, SILICON
		1		1	S4660009277605	HEATING WIRE	VÄRMETRÅD	94W/230V, SILICON
11	2	2	2	2	S4660009410101	COVERPLATE SIDE FOR GLASS	SIDOSKYDD FÖR GLAS	
12	2	3	2	3	S4660009425901	PLEXI GLASS FRONT	FRONTPLEXI	6x345x1248
13	1		1		S4660009410301	HOLDER FOR PLEXI GLASS FRONT	STÖDLIST FÖR FRONTPLEXI	L=2500, WHITE
		1		1	S4660009410302	HOLDER FOR PLEXI GLASS FRONT	STÖDLIST FÖR FRONTPLEXI	L=3750, WHITE
14	1	2	1	2	S4660622101814	THERMOMETER	DISTANSTERMOMETER	
15	1	2	1	2	S4660009410701	THERMOMETER HOLDER	TERMOMETERFÄSTE	COLOUR: WHITE
16	1		1		S4660009410601	RETURN AIR GRID	RETURLUFTSGALLER	L=2500, WHITE
		1		1	S4660009410602	RETURN AIR GRID	RETURLUFTSGALLER	L=3750, WHITE
17	3	5	3	5	S4660009411701	BOTTOM SHELF	BOTTENHYLLA	DIM: 600x828, WHITE WITHOUT FINGER HOLE
		1		1	S4660009411702	BOTTOM SHELF	BOTTENHYLLA	DIM: 600x828, WHITE WITH FINGER HOLE
		1		1	S4660009411703	BOTTOM SHELF	BOTTENHYLLA	DIM: 650x828, WHITE WITH FINGER HOLE
18	1		1		S4660009406101	EXHAUST SCREEN COMPL	RYGGSKÄRM KOMPL	L=2500, INCL AIR GUIDE COLOUR: WHITE
		1		1	S4660009406101	EXHAUST SCREEN COMPL	RYGGSKÄRM KOMPL	L=3750, INCL AIR GUIDE COLOUR: WHITE
19	3	5	3	5	S4660009412701	BOTTOM SHELF CABINET	BOTTENHYLLA SKÅP	DIM:440x624, WHITE WITHOUT FINGER HOLE
	1	1	1	1	S4660009412702	BOTTOM SHELF CABINET	BOTTENHYLLA SKÅP	DIM:440x624, WHITE WITH FINGER HOLE
20	2	3	2	3	S4660009412601	EXHAUST SCREEN CABINET	RYGGSKÄRM SKÅP	DIM: 724x1231, WHITE
21	2	3	2	3	S4660009455701	INTERNAL CEILING, INSULATED	INNERTAK, ISOLERAT	COLOUR, WHITE
22					S4660009417101	WIRE SHELF FOR CABINET	TRÅDHYLLA FÖR SKÅP	DIM: 450x608, WHITE
23					S4660009422801	BRACKET FOR WIRE SHELF, LEFT	KONSOL TRÅDHYLLA, VÄNSTER	WHITE

				S4660009422802	BRACKET FOR WIRE SHELF, RIGHT	KONSOL TRÅDHYLLA, HÖGER	WHITE
24	2	3		S4660009428001	FRAME GLASS DOOR	KARMPARTI GLASDÖRRAR	H=930, 2-DOOR SERIALNUMBER IS REQUIRED
			1	S4660009428003	FRAME GLASS DOOR	KARMPARTI GLASDÖRRAR	H=930, 4-DOOR SERIALNUMBER IS REQUIRED
				1	S4660009428005	FRAME GLASS DOOR	H=930, 6-DOOR SERIALNUMBER IS REQUIRED
25	4	6		S4660009450001	GLASS DOOR	GLASDÖRR	DIM: 602x892, BLACK SERIALNUMBER IS REQUIRED
				4	S4660009450002	GLASS DOOR	DIM: 602x892, GREY SERIALNUMBER IS REQUIRED
			4	6	S4660008661801	GLASS DOOR	DIM: 602x892, BLACK SERIALNUMBER IS REQUIRED
			4	6	S4660008661804	GLASS DOOR	DIM: 602x892, GREY SERIALNUMBER IS REQUIRED
26	6	9	6	9	S4660763513610	FLOURESCENT LIGHTING TUBE	LYSRÖR 18W/21-840, L=590 STANDARD
					S4660763511010	FLOURESCENT LIGHTING TUBE	LYSRÖR 18W/31-830, L=590 OPTION
					S4660763516610	FLOURESCENT LIGHTING TUBE	LYSRÖR 18W/737 AURA, L=590 OPTION
					S4660763518210	FLOURESCENT LIGHTING TUBE	LYSRÖR 18W/827 AURA, L=590 OPTION
					S4660763519110	FLOURESCENT LIGHTING TUBE	LYSRÖR 18W/30 BÄRO, L=590 OPTION
27	2	3	2	3	S4660763513010	FLOURESCENT LIGHTING TUBE	LYSRÖR 36W/21-840, L=1200 STANDARD
					S4660763511210	FLOURESCENT LIGHTING TUBE	LYSRÖR 36W/31-830, L=1200 OPTION
					S4660763516810	FLOURESCENT LIGHTING TUBE	LYSRÖR 36W/737 AURA, L=1200 OPTION
					S4660763518410	FLOURESCENT LIGHTING TUBE	LYSRÖR 36W/827 AURA, L=1200 OPTION
					S4660763519310	FLOURESCENT LIGHTING TUBE	LYSRÖR 36W/30 BÄRO, L=1200 OPTION
28	1		1		S4660009413201	FRONT PANEL BELOW CABINET	FRONTPANEL UNDER SKÅP L=2500, WHITE
			1	1	S4660009413202	FRONT PANEL BELOW CABINET	FRONTPANEL UNDER SKÅP L=3750, WHITE
29	3		3		S4660009427504	HEATING WIRE	VÄRMETRÅD 64W/230V
			3	3	S4660009427506	HEATING WIRE	VÄRMETRÅD 96W/230V
30	4	6	4	6	S4660761811012	FLUORESCENT TUBE SOCKET	LYSRÖRSHÅLLARE
31	2	3	2	3	S4660761811214	HOLDER FOR STARTER	GLIMTÄNDARHÅLLARE
32	2	3	2	3	S4660761811016	STARTER	GLIMTÄNDARE OSRAM ST111 SINGEL
33	1	1	1	1	S4660761810019	COUPLING BOX	KOPPLINGSDOSA WITHOUT PLINTH
34					S4660009427201	FAN MOTOR INCL FAN MOTOR RING	FLÄKTMOTOR INKL FLÄKTRING
35					S4660082428428	FAN BLADE 154 H=28	FLÄKTVINGE 154 H=28
36	3	3	3	3	S4660624411012	ANGLE CONNECTOR 32-90	VINKELKOPPLING 32-90
37	1	2	1	2	S4660624411010	T-TUBE 32/32-90	T-KOPPLING 32/32-90
38	1	1	1	1	S4660624111411	COUPLING SLEEVE 32/40	SKARVKOPPLING 32/40
39	1	1	1	1	S4660007391301	WATERLOCK	VATTENLÅS
40	2	2	2	2	S4660624411210	T-TUBE 40/40-90	T-KOPPLING 40/40-90
41	1		1		S4660009455605	PLASTIC PIPE	PLASTRÖR 32, L=730
42	1		1		S4660009455608	PLASTIC PIPE	PLASTRÖR 32, L=430
43		1		1	S4660009455607	PLASTIC PIPE	PLASTRÖR 32, L=1200
44		1		1	S4660009455606	PLASTIC PIPE	PLASTRÖR 32, L=1080
45	1		1		S4660009455604	PLASTIC PIPE	PLASTRÖR 32, L=645
46		1		1	S4660009455603	PLASTIC PIPE	PLASTRÖR 32, L=615
47	1	1	1	1	S4660009455602	PLASTIC PIPE	PLASTRÖR 32, L=300
48	1	1	1	1	S4660007323721	PLASTIC PIPE	PLASTRÖR 32, L=240



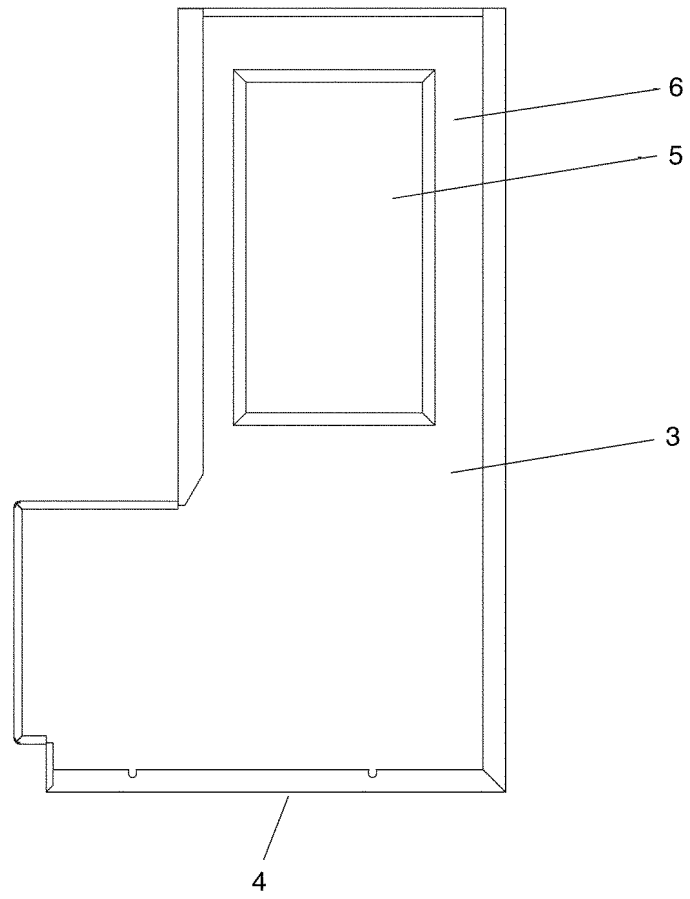
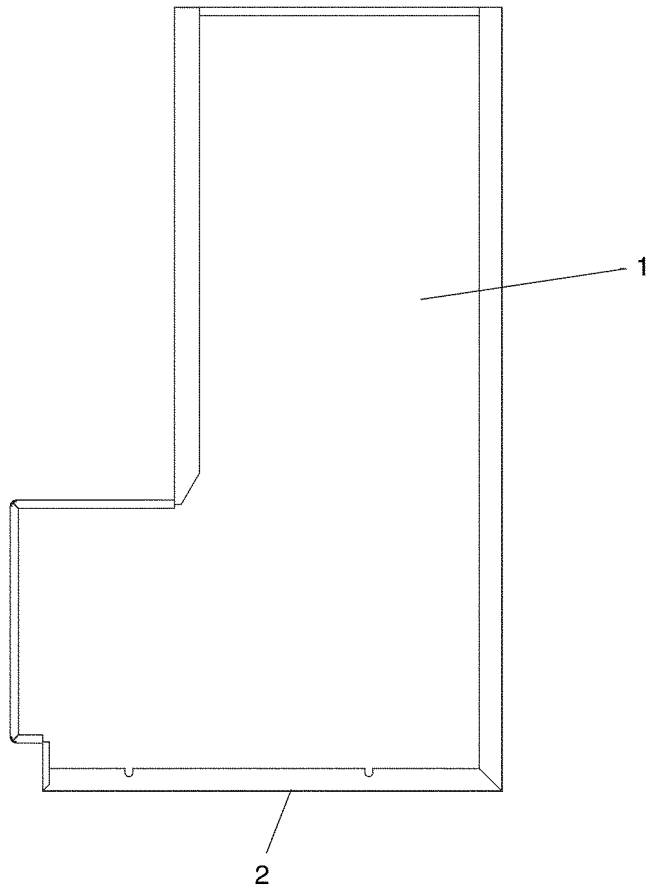
WB-250-1, WB-375-1

Design details, cabinet

Design detaljer, disk

Illustration Issue Month Year
Illustration Utgåva Månad År
200233/1 1 1 2000

Item Pos.	Quantity Antal	Art.No Art.nr	Description	Benämning	Info Info	Notes Anmärkning
WB-250-1						
WB-375-1						
1	1	466084877052T	Bumperprofile Design 7 UPO	Bumperprofil Design 7 UPO	3	L=2500 Blue RAL 5007
	1	466084877054Z	Bumperprofile Design 7 UPO	Bumperprofil Design 7 UPO	3	L=2500 Green RAL 6000
	1	466084877055S	Bumperprofile Design 7 UPO	Bumperprofil Design 7 UPO	3	L=2500 Red RAL 3031
	1	466084877057F	Bumperprofile Design 7 UPO	Bumperprofil Design 7 UPO	3	L=2500 Grey RAL 7035
	1	466084877058C	Bumperprofile Design 7 UPO	Bumperprofil Design 7 UPO	3	L=2500 Black RAL 5004
2	1	4660009400001	Al-profile, Design UPO	Fästprofil, Design 7 UPO	3	L=2495 Al-profile
3	1	4660009277604	Heating wire	Värmetråd	1	63W/230V Silicon
4	1	466084877062T	Bumperprofile Design 7 UPO	Bumperprofil Design 7 UPO	3	L=3750 Blue RAL 5007
	1	466084877064Z	Bumperprofile Design 7 UPO	Bumperprofil Design 7 UPO	3	L=3750 Green RAL 6000
	1	466084877065S	Bumperprofile Design 7 UPO	Bumperprofil Design 7 UPO	3	L=3750 Red RAL 3031
	1	466084877067F	Bumperprofile Design 7 UPO	Bumperprofil Design 7 UPO	3	L=3750 Grey RAL 7035
	1	466084877068C	Bumperprofile Design 7 UPO	Bumperprofil Design 7 UPO	3	L=3750 Black RAL 5004
5	1	4660009400002	Al-profile, Design UPO	Fästprofil, Design 7 UPO	3	L=3745 Al-profile
6	1	4660009277605	Heating wire	Värmetråd	1	94W/230V Silicon



WB-250-1,WB-375-1

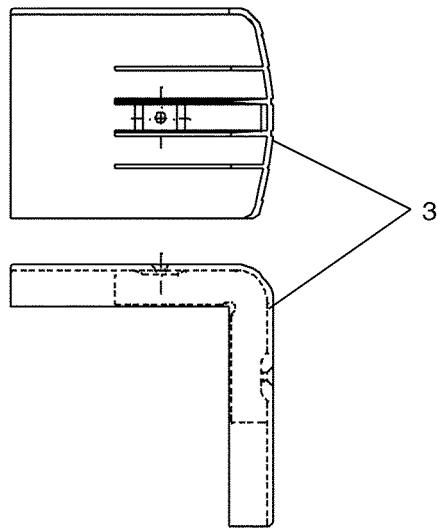
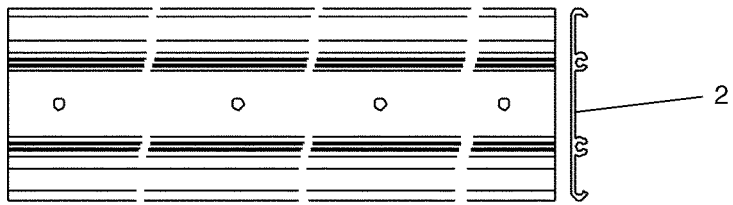
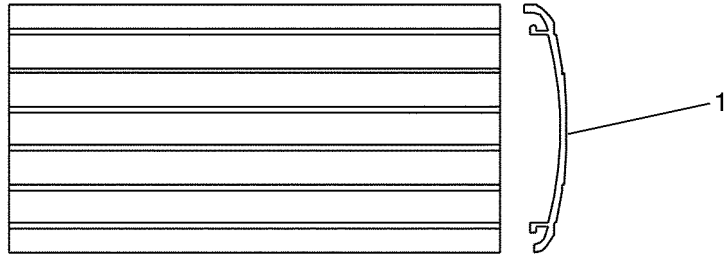
Endwalldetails

Illustration Issue Month Year
Illustration Utgåva Månad År

Gaveldetaljer

200234/1 1 2 2000

Item Pos.	Quantity Antal	Art.No Art.nr	Description	Benämning	Info Info	Notes Anmärkning
1			Endwall Standard, left	Gavel Standard, vänster		Order as accessory from factory
			Endwall Standard, right	Gavel Standard, höger		Order as accessory from factory
2			Base panel endwall, perforated	Gavelsockel perforerad		Order as accessory from factory
3			Glazed endwall, left	Gavel glasad vänster		Order as accessory from factory
			Glazed endwall, right	Gavel glasad höger		Order as accessory from factory
4			Base panel endwall, perforated	Gavelsockel perforerad		Order as accessory from factory
5		4660009439201	Insulating glass	Isolerglas		50x453x828 Glazed endwall
6		4660009474801		Glasram kompl		Grey RAL 7038



WB-250-1,WB-375-1,WD-375-1

Design details, endwalls

Illustration Issue Month Year
Illustration Utgåva Månad År

Design detaljer, gavlar

200235/1 1 2 0

Item Pos.	Quantity Antal	Art.No Art.nr	Description	Benämning	Info Info	Notes Anmärkning
WB-250-1						
WB-375-1,WD-375-1						
1		466084877162T	Bumperprofile Design 7 UPO	Bumperprofil Design 7 UPO	3	L=1090 Blue RAL 5007
		466084877164Z	Bumperprofile Design 7 UPO	Bumperprofil Design 7 UPO	3	L=1090 Green RAL 6000
		466084877165S	Bumperprofile Design 7 UPO	Bumperprofil Design 7 UPO	3	L=1090 Red RAL 3031
		466084877167F	Bumperprofile Design 7 UPO	Bumperprofil Design 7 UPO	3	L=1090 Grey RAL 7035
		466084877168C	Bumperprofile Design 7 UPO	Bumperprofil Design 7 UPO	3	L=1090 Black RAL 5004
2		4660008488114	Al-profile, Design UPO	Fästprofil, Design 7 UPO	3	L=1085
3		466084869012T	Bumper corner Design 7 UPO	Bumpershörn Design 7 UPO	3	Blue RAL 5007
		466084869015S	Bumper corner Design 7 UPO	Bumpershörn Design 7 UPO	3	Red RAL 3031
		466084869018C	Bumper corner Design 7 UPO	Bumpershörn Design 7 UPO	3	Black RAL 5004
4		466094064018C	End stop Design 7 UPO	Ändavslutning Design 7 UPO		Black RAL 5004 Painted metal sheet
		466094064017F	End stop Design 7 UPO	Ändavslutning Design 7 UPO		Grey RAL 7035 Painted metal sheet

WB-250-1,WB-375-1

Spare part for accessories

Reservdelar för tillbehör

Illustration
Illustration
200076/1

Issue
Utgåva
1

Month
Månad
2

Year
År
2000

Item Pos.	Quantity Antal	Art.No Art.nr	Description	Benämning	Info Info	Notes Anmärkning
1						
		WB-250-1				
		WB-375-1				
		4660094665A01		Värmepanel under skåp, kompl		250 White, incl. heating wire and lighting
		4660094665A02		Värmepanel under skåp, kompl		375 White, incl. heating wire and lighting
		4660094731A01	Handrail, compl.	Sarg, kompl		250 Stainless steel
		4660094731A02	Handrail, compl.	Sarg, kompl		375 Stainless steel

Numerical index/Nummerregister

Art.No/Art.nr	Page/Sida	Art.No/Art.nr	Page/Sida	Art.No/Art.nr	Page/Sida	Art.No/Art.nr	Page/Sida
4660007323721	5	4660094665A02	13				
4660007391301	5	4660094731A01	13				
4660008488114	11	4660094731A02	13				
4660009277604	3	4660622101814	3				
4660009277604	7	4660624111411	5				
4660009277605	3	4660624411010	5				
4660009277605	7	4660624411012	5				
4660009354504	3	4660624411210	5				
4660009354505	3	4660761810019	5				
4660009400001	7	4660761811012	5				
4660009400002	7	4660761811016	5				
4660009400101	3	4660761811214	5				
4660009400102	3	4660763511010	3				
4660009400301	5	4660763511210	3				
4660009406101	3	4660763513010	3				
4660009406102	3	4660763513610	3				
4660009406901	3	4660763516610	3				
4660009406902	3	4660763516810	5				
4660009410101	3	4660763518210	3				
4660009410301	3	4660763518410	5				
4660009410302	3	4660763519110	3				
4660009410601	3	4660763519310	5				
4660009410602	3	466084869012T	11				
4660009410701	3	466084869015S	11				
4660009411701	3	466084869018C	11				
4660009411702	3	466084877052T	7				
4660009411703	3	466084877054Z	7				
4660009412401	3	466084877055S	7				
4660009412601	3	466084877057F	7				
4660009412701	3	466084877058C	7				
4660009412702	3	466084877062T	7				
4660009413201	5	466084877064Z	7				
4660009413202	5	466084877065S	7				
4660009416901	3	466084877067F	7				
4660009416902	3	466084877068C	7				
4660009417101	3	466084877162T	11				
4660009422801	3	466084877164Z	11				
4660009422802	3	466084877165S	11				
4660009425901	3	466084877167F	11				
4660009426001	3	466084877168C	11				
4660009426002	3	466094064017F	11				
4660009426801	5	466094064018C	11				
4660009426802	5	466094067017F	3				
4660009426901	5	466094067027F	3				
4660009426902	5	466094753017F	3				
4660009427103	5						
4660009427201	5						
4660009427504	5						
4660009427506	5						
4660009428001	3						
4660009437501	3						
4660009439201	9						
4660009450001	3						
4660009450002	3						
4660009455602	5						
4660009455603	5						
4660009455604	5						
4660009455605	5						
4660009455606	5						
4660009455607	5						
4660009455608	5						
4660009455701	3						
4660009474302	3						
4660009474801	9						
4660082428428	5						
4660094665A01	13						



Spare parts distribution by:

**Carrier Refrigeration AB
Dept: ERD Parts Center
Finnamyrsvägen 4
SE-360 44 Ingelstad
Sweden**

Phone: +46 470 38290 – 38291

Fax: +46 470 38296

Email: parts.erdswe@carrier.utc.com

www.carrierrefrigeration.se