



SPARE PARTS CATALOUGE RESERVDELSKATALOG



**WD-250-1, WD-375-1
WD-250-2, WD-375-2**

**COMBISET WITHOUT CANOPY UPO-LINE
KOMBIDISK UTAN TAKLÅDA UPO-LINE**

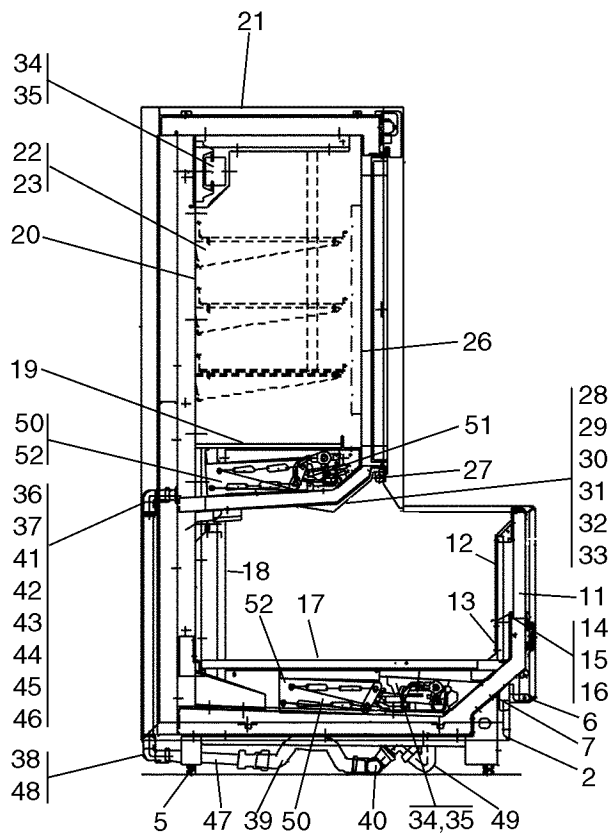
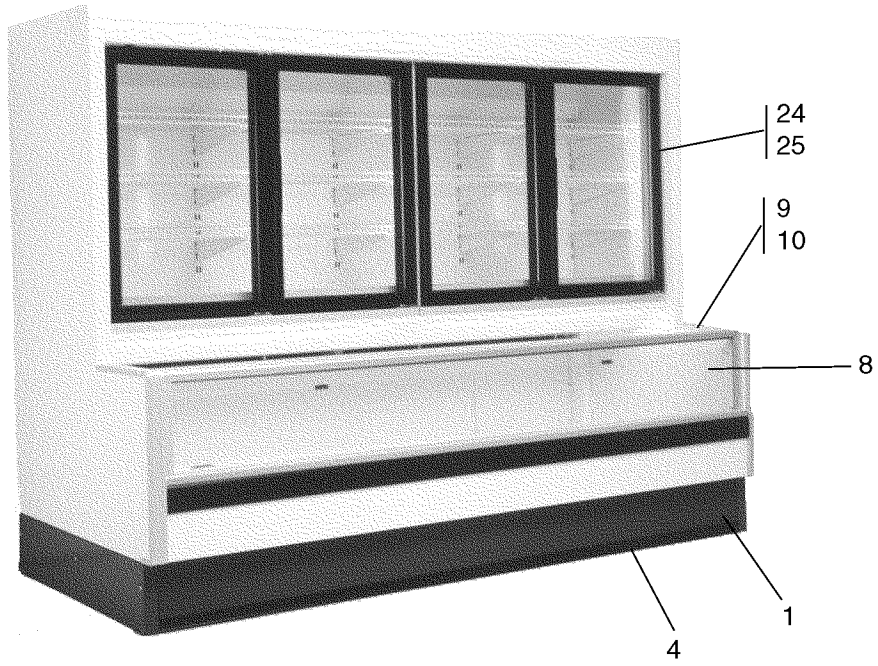
Utgåveförteckning

WD-250-1,WD-375-1

| Illustration | Page | Table of contents |
|--------------|------|----------------------------|
| 200076 | 13 | Spare part for accessories |
| 200233 | 7 | Design details, cabinet |
| 200234 | 9 | Endwall details |
| 200235 | 11 | Design details, endwalls |
| 200236 | 3 | Basic details, cabinet |

WD-250-1,WD-375-1

| Table of contents | Innehållsförteckning | Page/Sida |
|----------------------------|---------------------------|-----------|
| Basic details, cabinet | Grunddetaljer, disk | 3 |
| Design details, cabinet | Design detaljer, disk | 7 |
| End wall details | Gaveldetaljer | 9 |
| Design details, end walls | Design detaljer, gavlar | 11 |
| Spare part for accessories | Reservdelar för tillbehör | 13 |

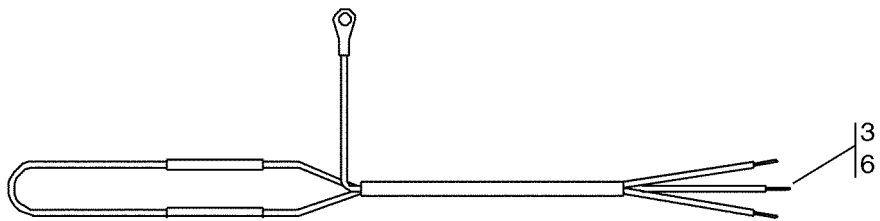
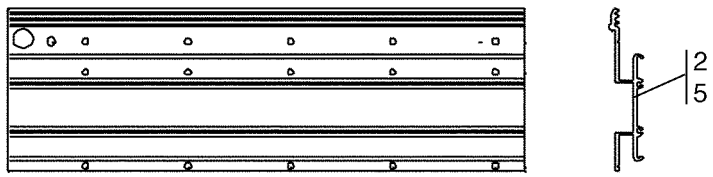
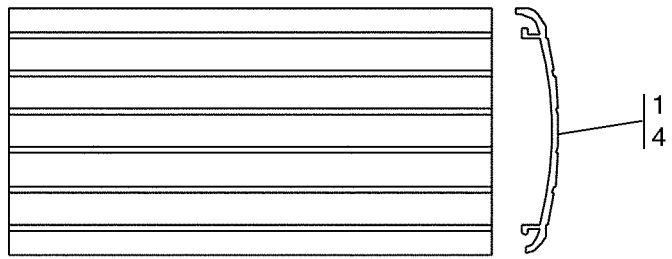


WD-250/375-1 – WD-250/375-2

BASIC DETAILS – GRUNDDETALJER

| POS: | WD-250-1 | WD-375-1 | WD-250-2 | WD-375-2 | ITEM NO | DESCRIPTION | BENÄMNING | NOTE ! |
|------|----------|----------|----------|----------|---------------|-----------------------------------------------------------|--------------------------------------------------------|------------------------------|
| 1 | 1 | | 1 | | 4660009416901 | BASEPANEL PERFORATED INCL HOLE FOR KEY SWITCHER | SOCKEL PERFORERAD MED HÅL FÖR NYCKELBRYTARE | L=2500, CHOOSE COLOUR |
| 1 | | 2 | | 2 | 4660009416902 | BASEPANEL PERFORATED INCL HOLE FOR KEY SWITCHER | SOCKEL PERFORERAD MED HÅL FÖR NYCKELBRYTARE | L=1875, CHOOSE COLOUR |
| 2 | 1 | | 1 | | 4660009406901 | BASEPANEL HOLDER | SOCKELFÄSTE | L=2500 |
| 2 | | 2 | | 2 | 4660009406902 | BASEPANEL HOLDER | SOCKELFÄSTE | L=1875 |
| 3 | 1 | 2 | 1 | 2 | 4660009474302 | LOCK FOR KEY SWITCHER | PLÅTLOCK FÖR NYCKELBRYTARE | CHOOSE COLOUR |
| 4 | 1 | | 1 | | 4660009354505 | BASEPANEL COVERSTRIP L=2500, PLASTIC BLACK | SOCKELLIST PLAST L=2500, SVART | |
| 4 | | 2 | | 2 | 4660009354504 | BASEPANEL COVERSTRIP L=1875, PLASTIC BLACK | SOCKELLIST PLAST L=1875, SVART | |
| 5 | 6 | 8 | 6 | 8 | 4660009437501 | ADJUSTABLE FOOT | STÄLLFOT | |
| 6 | 3 | 6 | 3 | 6 | 4660009412401 | BASEPANEL SUPPORT | STÖDLIST FÖR FRONTPLÅT | |
| 7 | 1 | | 1 | | 466094067017F | COVER PLATE, FRONT U-LINE L=2500, GREY RAL 7035 | TÄCKPLÅT FRONT U-LINE L=2500, GRÅ RAL 7035 | |
| 7 | | 1 | | 1 | 466094067027F | COVER PLATE, FRONT U-LINE RIGHT, L=1875, GREY RAL 7035 | TÄCKPLÅT FRONT U-LINE, HÖGER L=1875, GRÅ RAL 7035 | |
| 7 | | 1 | | 1 | 466094753017F | COVER PLATE, FRONT U-LINE LEFT, L=1875, GREY RAL 7035 | TÄCKPLÅT FRONT U-LINE VÄNSTER, L=1875, GRÅ RAL 7035 | |
| 8 | 1 | | 1 | | 4660009426001 | INSULATING GLASS | ISOLERGLAS | 31*316*2495 |
| 8 | | 1 | | 1 | 4660009426002 | INSULATING GLASS | ISOLERGLAS | 31*316*3745 |
| 9 | 1 | | 1 | | 4660009400101 | HANDRAIL, AL ANODISED | SARG, AL ELOXERAD | L=2500 |
| 9 | | 1 | | 1 | 4660009400102 | HANDRAIL, AL ANODISED | SARG, AL ELOXERAD | L=2500 |
| 10 | 1 | | 1 | | 4660009277604 | HEATING WIRE, 63W/230V SILICON | VÄRMETRÅD, 63W/230V SILICON | |
| 10 | | 1 | | 1 | 4660009277605 | HEATING WIRE, 94W/230V SILICON | VÄRMETRÅD, 94W/230V SILICON | |
| 11 | 2 | 2 | 2 | 2 | 4660009410101 | COVER PLATE SIDE FOR GLASS | TÄCKPLÅT SIDA FÖR GLAS | |
| 12 | 2 | 3 | 2 | 3 | 4660009425901 | PLEXI GLASS FRONT | FRONTPLEXI | 6*345*1248 |
| 13 | 1 | | 1 | | 4660009410301 | HOLDER FRONTPLEXI | HÅLLARE FRONTPLEXI | L=2500 WHITE |
| 13 | | 1 | | 1 | 4660009410302 | HOLDER FRONTPLEXI | HÅLLARE FRONTPLEXI | L=3750 WHITE |
| 14 | 1 | 2 | 1 | 2 | 4660622101814 | THERMOMETER | DISTANSTERMOMETER | |
| 15 | 1 | 2 | 1 | 2 | 4660009410701 | THERMOMETER HOLDER | TERMOMETERFÄSTE | |
| 16 | 1 | | 1 | | 4660009410601 | RETURN AIR GRID | RETURLUFTSGALLER | L=2500, WHITE |
| 16 | | 1 | | 1 | 4660009410602 | RETURN AIR GRID | RETURLUFTSGALLER | L=3750, WHITE |
| 17 | 3 | 5 | 3 | 5 | 4660009411701 | BOTTOM SHELF, 600*828 WITHOUT HOLE, WHITE | BOTTENHYLLA, 600*828 UTAN HÅL, VIT | |
| 17 | 1 | | 1 | | 4660009411702 | BOTTOM SHELF, 600*828 WITH HOLE, WHITE | BOTTENHYLLA, 600*828 MED HÅL, VIT | |
| 17 | | 1 | | 1 | 4660009411703 | BOTTOM SHELF, 650*828 WITH HOLE, WHITE | BOTTENHYLLA, 650*828 MED HÅL, VIT | |
| 18 | 1 | | 1 | | 4660009406101 | EXHAUST SCREEN COMPL L=2500, INCL AIR GUIDE | RYGGSKÄRM KOMPL L=2500, INKL LUFTLEDARE | |
| 18 | | 1 | | 1 | 4660009406102 | EXHAUST SCREEN COMPL L=3750, INCL AIR GUIDE | RYGGSKÄRM KOMPL L=3750, INKL LUFTLEDARE | |
| 19 | 3 | 5 | 3 | 5 | 4660009412701 | BOTTOM SHELF CABINET 440*624, WITHOUT HOLE, WHITE | BOTTENHYLLA SKÅP 440*624, UTAN HÅL, VIT | |
| 19 | 1 | 1 | 1 | 1 | 4660009412702 | BOTTOM SHELF CABINET 440*624, WITH HOLE, WHITE | BOTTENHYLLA SKÅP 440*624, MED HÅL, VIT | |
| 20 | 2 | 3 | 2 | 3 | 4660009412601 | EXHAUST SCREEN CABINET 724*1231, WHITE | RYGGSKÄRM SKÅP 724*1231, VIT | |
| 21 | 2 | 3 | 2 | 3 | 4660009455701 | INTERNAL CEILING, ISOLATED | INNERTAK, ISOLERAT | |
| 22 | | | | | 4660009417101 | WIRE SHELF CABINET 450*608, WHITE | TRÅDHYLLA SKÅP 450*628, VIT | |
| 23 | | | | | 4660009422801 | BRACKET WIRE SHELF, LEFT | KONSOL TRÅDHYLLA, VÄNSTER | |
| 23 | | | | | 4660009422802 | BRACKET WIRE SHELF, RIGHT | KONSOL TRÅDHYLLA, HÖGER | |
| 24 | 4 | 6 | | | 4660009428002 | FRAME GLASS DOOR H=1130, 2-DOORS | KARMPARTI GLASDÖRR H=1130, 2-DÖRRAR | SERIAL NUMBER IS REQUIRED |
| 24 | | | 1 | | 4660009428004 | FRAME GLASS DOOR H=1130, 4-DOORS | KARMPARTI GLASDÖRR H=1130, 4-DÖRRAR | SERIAL NUMBER IS REQUIRED |
| 24 | | | | 1 | 4660009428006 | FRAME GLASS DOOR H=1130, 6-DOORS | KARMPARTI GLASDÖRR H=1130, 6-DÖRRAR | SERIAL NUMBER IS REQUIRED |
| 25 | 4 | 6 | | | 4660009450003 | GLASS DOOR, 602*1092, BLACK | GLASDÖRR, 602*1092, SVART | SERIAL NUMBER IS REQUIRED |

| | | | | | | | | |
|----|---|---|---|---|---------------|----------------------------------------------|--------------------------------------|---------------------------|
| 25 | 4 | 6 | | | 4660009450004 | GLASS DOOR, 602*1092, GREY | GLASDÖRR, 602*1092, GRÅ | SERIAL NUMBER IS REQUIRED |
| 25 | | | 4 | 6 | 4660008661802 | GLASS DOOR, 602*1092, BLACK | GLASDÖRR, 602*1092, SVART | SERIAL NUMBER IS REQUIRED |
| 25 | | | 4 | 6 | 4660008661805 | GLASS DOOR, 602*1092, GREY | GLASDÖRR, 602*1092, GRÅ | SERIAL NUMBER IS REQUIRED |
| 26 | 6 | 9 | 6 | 9 | 4660763513610 | FLOURESCENT LIGHTING 18W/21-840, L=590 | LYSRÖR 18W/21-840, L=590 | STANDARD |
| | | | | | 4660763511010 | FLOURESCENT LIGHTING 18W/31-830, L=590 | LYSRÖR 18W/31-830, L=590 | OPTION |
| | | | | | 4660763516610 | FLOURESCENT LIGHTING 18W/737 AURA, L=590 | LYSRÖR 18W/737 AURA, L=590 | OPTION |
| | | | | | 4660763518210 | FLOURESCENT LIGHTING 18W/827 AURA, L=590 | LYSRÖR 18W/827 AURA, L=590 | OPTION |
| | | | | | 4660763519110 | FLOURESCENT LIGHTING 18W/30 BÄRO, L=590 | LYSRÖR 18W/30 BÄRO, L=590 | OPTION |
| 27 | 2 | 3 | 2 | 3 | 4660763513010 | FLOURESCENT LIGHTING 36W/21-840, L=1200 | LYSRÖR 36W/21-840, L=1200 | STANDARD |
| | | | | | 4660763511210 | FLOURESCENT LIGHTING 36W/31-830, L=1200 | LYSRÖR 36W/31-830, L=1200 | OPTION |
| | | | | | 4660763516810 | FLOURESCENT LIGHTING 36W/737 AURA, L=1200 | LYSRÖR 36W/737 AURA, L=1200 | OPTION |
| | | | | | 4660763518410 | FLOURESCENT LIGHTING 36W/827 AURA, L=1200 | LYSRÖR 36W/827 AURA, L=1200 | OPTION |
| | | | | | 466076519310 | FLOURESCENT LIGHTING 36W/30 BÄRO, L=1200 | LYSRÖR 36W/30 BÄRO, L=1200 | OPTION |
| 28 | 1 | | 1 | | 4660009413201 | FRONTPANEL BELOW CABINET L=2500, WHITE | FRONTPANEL UNDER SKÅP L=2500, VIT | |
| 28 | | 1 | | 1 | 4660009413202 | FRONTPANEL BELOW CABINET L=3750, WHITE | FRONTPANEL UNDER SKÅP L=3750, VIT | |
| 29 | 3 | | 3 | | 4660009427504 | HEATING WIRE, 64W/230V | VÄRMETRÅD 64W/230V | |
| 29 | | 3 | | 3 | 4660009427506 | HEATING WIRE 96W/230V | VÄRMETRÅD 96W/230V | |
| 30 | 4 | 6 | 4 | 6 | 4660761811012 | FLOURESCENT TUBE SOCKET | LYSRÖRSHÅLLARE | |
| 31 | 2 | 3 | 2 | 3 | 4660761811214 | HOLDER FOR STARTER | GLIMTÄNDARHÅLLARE | |
| 32 | 2 | 3 | 2 | 3 | 4660761811016 | STARTER | GLIMTÄNDARE | OSRAM SINGEL ST111 |
| 33 | 1 | 1 | 1 | 1 | 4660761810019 | COUPLING BOX, WITHOUT PLINTH | KOPPLINGSDOSA, UTAN PLINT | |
| 34 | | | | | 4660009427201 | FAN MOTOR, ELCO VN 10/20-154 | FLÄKTMOTOR ELCO VN 10/20-154 | |
| 35 | | | | | 4660082428428 | FAN BLADE, 154 H=28 | FLÄKTVINGE, 154 H=28 | |
| 36 | 3 | 3 | 3 | 3 | 4660624411012 | ANGLE CONNECTOR 32-90 , INSERT | VINKELKOPPLING 32-90, INSTICK | |
| 37 | 1 | 2 | 1 | 2 | 4660624411010 | T-TUBE 32/32-90 | T-KOPPLING 32/32-90 | |
| 38 | 1 | 1 | 1 | 1 | 4660624111411 | COUPLING SLEEVE 32/40 | SKARVKOPPLING 32/40 | |
| 39 | 1 | 1 | 1 | 1 | 4660007391301 | WATER LOCK | VATTENLÅS | |
| 40 | 2 | 2 | 2 | 2 | 4660624411210 | T-TUBE 40/40-90 | T-KOPPLING 40/40-90 | |
| 41 | 1 | | 1 | | 4660009455605 | PLASTIC PIPE | PLASTRÖR | 32, L=730 |
| 42 | 1 | | 1 | | 4660009455608 | PLASTIC PIPE | PLASTRÖR | 32, L=430 |
| 43 | | 1 | | 1 | 4660009455607 | PLASTIC PIPE | PLASTRÖR | 32, L=1200 |
| 44 | | 1 | | 1 | 4660009455606 | PLASTIC PIPE | PLASTRÖR | 32, L=1080 |
| 45 | 1 | | 1 | | 4660009455604 | PLASTIC PIPE | PLASTRÖR | 32, L=645 |
| 46 | | 1 | | 1 | 4660009455603 | PLASTIC PIPE | PLASTRÖR | 32, L=615 |
| 47 | 1 | 1 | 1 | 1 | 4660009455602 | PLASTIC PIPE | PLASTRÖR | 32, L=300 |
| 48 | 1 | 1 | 1 | 1 | 4660007323721 | PLASTIC PIPE | PLASTRÖR | 32, L=240 |
| 49 | 1 | 1 | 1 | 1 | 4660009400301 | WATER LOCK | VATTENLÅS | |
| 50 | 2 | | 2 | | 4660009426801 | EVAPORATOR, 100*300*2200 | FÖRÅNGARE, 100*300*2200 | |
| 50 | | 2 | | 2 | 4660009426802 | EVAPORATOR, 100*300*3450 | FÖRÅNGARE, 100*300*3450 | |
| 51 | 6 | | 6 | | 4660009426901 | HEATER ROD, 1285W/230V | VÄRMESTAV, 1285W/230V | FOR BOTH FRONT & REAR |
| 51 | | 6 | | 6 | 4660009426902 | HEATER ROD, 1970W/230V | VÄRMESTAV, 1970W/230V | FOR BOTH FRONT & REAR |



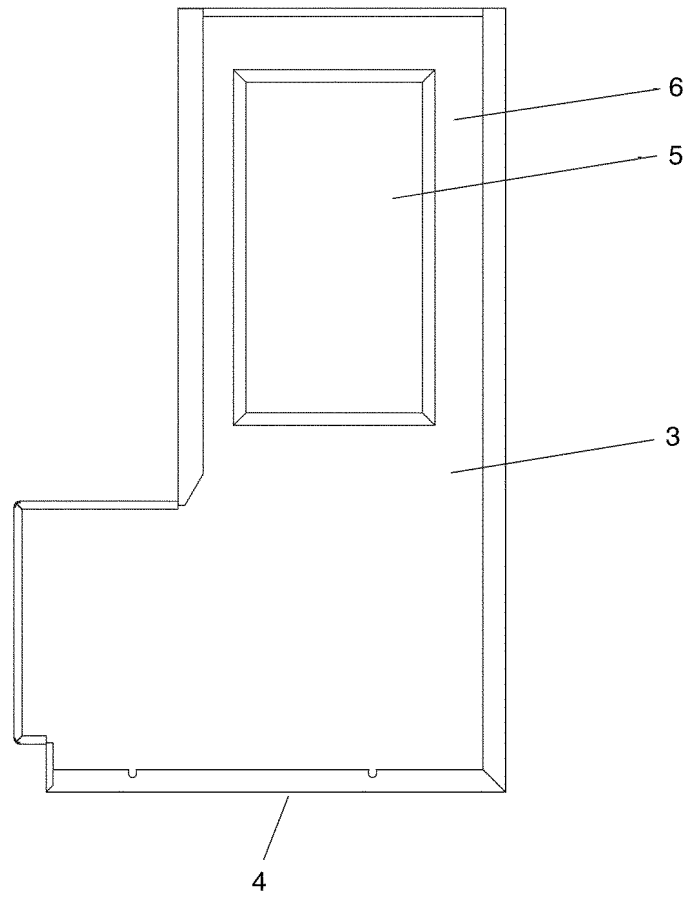
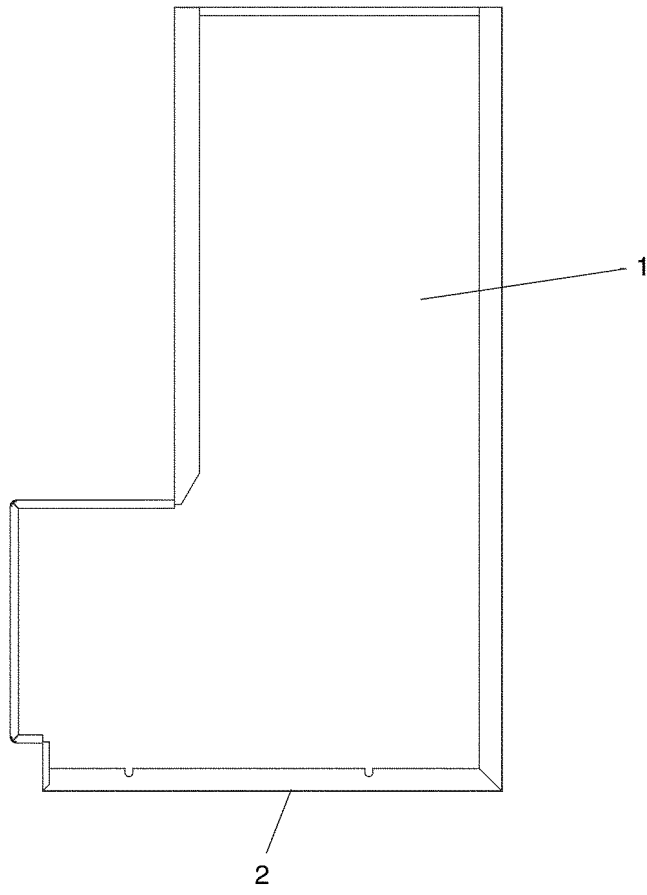
WD-250-1,WD-375-1

Designdetails, cabinet

Designdetaljer, disk

Illustration Issue Month Year
Illustration Utgåva Månad År
200233/1 1 2 2000

| Item Pos. | Quantity Antal | Art.No Art.nr | Description | Benämning | Info Info | Notes Anmärkning |
|-----------|----------------|---------------|----------------------------|---------------------------|-----------|-----------------------|
| WD-250-1 | | | | | | |
| WD-375-1 | | | | | | |
| 1 | 1 | 466084877052T | Bumperprofile Design 7 UPO | Bumperprofil Design 7 UPO | 3 | L=2500 Blue RAL 5007 |
| | 1 | 466084877054Z | Bumperprofile Design 7 UPO | Bumperprofil Design 7 UPO | 3 | L=2500 Green RAL 6000 |
| | 1 | 466084877055S | Bumperprofile Design 7 UPO | Bumperprofil Design 7 UPO | 3 | L=2500 Red RAL 3031 |
| | 1 | 466084877057F | Bumperprofile Design 7 UPO | Bumperprofil Design 7 UPO | 3 | L=2500 Grey RAL 7035 |
| | 1 | 466084877058C | Bumperprofile Design 7 UPO | Bumperprofil Design 7 UPO | 3 | L=2500 Black RAL 5004 |
| 2 | 1 | 4660009400001 | Al-profile, Design UPO | Fästprofil, Design 7 UPO | 3 | L=2495 Al-profile |
| 3 | 1 | 4660009277604 | Heating wire | Värmetråd | 1 | 63W/230V Silicon |
| 4 | 1 | 466084877062T | Bumperprofile Design 7 UPO | Bumperprofil Design 7 UPO | 3 | L=3750 Blue RAL 5007 |
| | 1 | 466084877064Z | Bumperprofile Design 7 UPO | Bumperprofil Design 7 UPO | 3 | L=3750 Green RAL 6000 |
| | 1 | 466084877065S | Bumperprofile Design 7 UPO | Bumperprofil Design 7 UPO | 3 | L=3750 Red RAL 3031 |
| | 1 | 466084877067F | Bumperprofile Design 7 UPO | Bumperprofil Design 7 UPO | 3 | L=3750 Grey RAL 7035 |
| | 1 | 466084877068C | Bumperprofile Design 7 UPO | Bumperprofil Design 7 UPO | 3 | L=3750 Black RAL 5004 |
| 5 | 1 | 4660009400002 | Al-profile, Design UPO | Fästprofil, Design 7 UPO | 3 | L=3745 Al-profile |
| 6 | 1 | 4660009277605 | Heating wire | Värmetråd | 1 | 94W/230V Silicon |



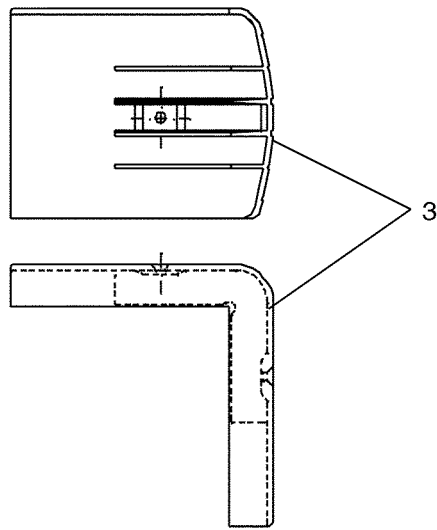
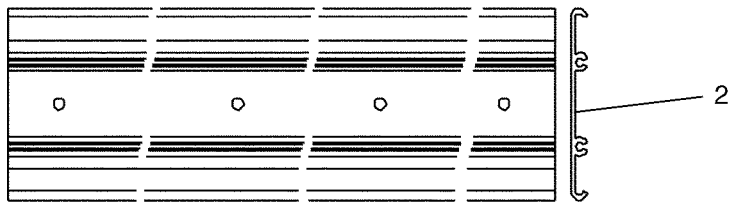
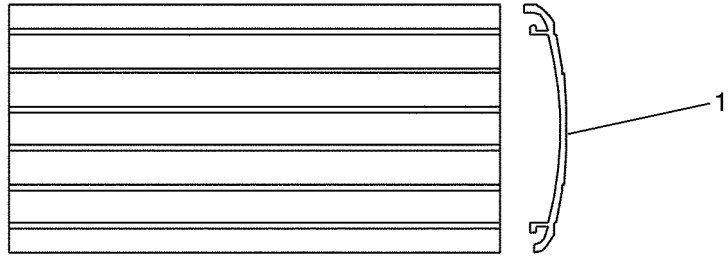
WD-250-1,WD-375-1

Endwall details

Illustration Issue Month Year
Illustration Utgåva Månad År
200234/1 1 2 2000

Gaveldetaljer

| Item Pos. | Quantity Antal | Art.No Art.nr | Description | Benämning | Info Info | Notes Anmärkning |
|--------------|-------------------|------------------|-----------------------------------|------------------------|--------------|------------------------------------|
| | WD-250-1 | | | | | |
| | WD-375-1 | | | | | |
| 1 | | | Endwall std, left | Gavel std, vänster | | Order as accessory from factory |
| | | | Endwall std, right | Gavel std, höger | | Order as accessory from factory |
| 2 | | | Base panel endwall, perforated | Gavelsöcket perforerad | | Order as accessory from factory |
| 3 | | | Glazed endwall, left | Gavel glasad vänster | | Order as accessory from factory |
| | | | Glazed endwall, right | Gavel glasad höger | | Order as accessory from factory |
| 4 | | | Base panel endwall, perforated | Gavelsöcket perforerad | | Order as accessory from factory |
| 5 | | 4660009439201 | Insulating glass | Isolerglas | | 50x453x828 Glazed endwall |
| 6 | | 4660009474801 | | Glasram kompl | | Grey RAL 7035 |



WD-250-1

Design details, endwalls

Illustration Issue Month Year
Illustration Utgåva Månad År

Design detaljer, gavlar

200235/1 1 2 0

| Item Pos. | Qua Ant. | Art.No Art.nr | Description | Benämning | Info Info | Notes Anmärkning |
|-----------|----------|---------------|----------------------------|----------------------------|-----------|------------------------------------|
| 1 | | 466084877162T | Bumperprofile Design 7 UPO | Bumperprofil Design 7 UPO | 3 | L=1090 Blue RAL 5007 |
| | | 466084877164Z | Bumperprofile Design 7 UPO | Bumperprofil Design 7 UPO | 3 | L=1090 Green RAL 6000 |
| | | 466084877165S | Bumperprofile Design 7 UPO | Bumperprofil Design 7 UPO | 3 | L=1090 Red RAL 3031 |
| | | 466084877167F | Bumperprofile Design 7 UPO | Bumperprofil Design 7 UPO | 3 | L=1090 Grey RAL 7035 |
| | | 466084877168C | Bumperprofile Design 7 UPO | Bumperprofil Design 7 UPO | 3 | L=1090 Black RAL 5004 |
| 2 | | 4660008488114 | Al-profile, Design UPO | Fästprofil, Design 7 UPO | 3 | L=1085 |
| 3 | | 466084869012T | Bumper corner Design 7 UPO | Bumpershörn Design 7 UPO | 3 | Blue RAL 5007 |
| | | 466084869015S | Bumper corner Design 7 UPO | Bumpershörn Design 7 UPO | 3 | Red RAL 3031 |
| | | 466084869018C | Bumper corner Design 7 UPO | Bumpershörn Design 7 UPO | 3 | Black RAL 5004 |
| 4 | | 466094064018C | End stop Design 7 UPO | Ändavslutning Design 7 UPO | | Black RAL 5004 Painted metal sheet |
| | | 466094064017F | End stop Design 7 UPO | Ändavslutning Design 7 UPO | | Grey RAL 7035 Painted metal sheet |

WD-250-1,WD-375-1

Spare part for accessories

Reservdelar för tillbehör

Illustration
Illustration
200076/1Issue
Utgåva
1Month
Månad
2Year
År
2000

| Item Pos. | Quantity Antal | Art.No Art.nr | Description | Benämning | Info Info | Notes Anmärkning |
|-----------|----------------|------------------------------------------------------------------------------------------|--------------------------------------|--------------------------------------------------------------------------------------------------|-----------|----------------------------------------------------------------------------------------------------------------------------------------------|
| 1 | | WD-250-1 WD-375-1 4660094665A01 4660094665A02 4660094731A01 4660094731A02 | Handrail, compl. Handrail, compl. | Värmepanel under skåp, kompl Värmepanel under skåp, kompl Sarg, kompl Sarg, kompl | | 250 White, incl. heating wire and lighting 375 White, incl. heating wire and lighting 250 Stainless steel 375 Stainless steel |

Numerical index/Nummerregister

| Art.No/Art.nr | Page/Sida | Art.No/Art.nr | Page/Sida | Art.No/Art.nr | Page/Sida | Art.No/Art.nr | Page/Sida |
|---------------|-----------|---------------|-----------|---------------|-----------|---------------|-----------|
| 4660007323721 | 5 | 4660094665A01 | 13 | | | | |
| 4660007391301 | 5 | 4660094665A02 | 13 | | | | |
| 4660008488114 | 11 | 4660094731A01 | 13 | | | | |
| 4660009277604 | 3 | 4660094731A02 | 13 | | | | |
| 4660009277604 | 7 | 4660622101814 | 3 | | | | |
| 4660009277605 | 3 | 4660624111411 | 5 | | | | |
| 4660009277605 | 7 | 4660624411010 | 5 | | | | |
| 4660009354504 | 3 | 4660624411012 | 5 | | | | |
| 4660009354505 | 3 | 4660624411210 | 5 | | | | |
| 4660009400001 | 7 | 4660761810019 | 5 | | | | |
| 4660009400002 | 7 | 4660761811012 | 5 | | | | |
| 4660009400101 | 3 | 4660761811016 | 5 | | | | |
| 4660009400102 | 3 | 4660761811214 | 5 | | | | |
| 4660009400301 | 5 | 4660763511010 | 3 | | | | |
| 4660009406101 | 3 | 4660763511210 | 3 | | | | |
| 4660009406102 | 3 | 4660763513010 | 3 | | | | |
| 4660009406901 | 3 | 4660763513610 | 3 | | | | |
| 4660009406902 | 3 | 4660763516610 | 3 | | | | |
| 4660009410101 | 3 | 4660763516810 | 5 | | | | |
| 4660009410301 | 3 | 4660763518210 | 3 | | | | |
| 4660009410302 | 3 | 4660763518410 | 5 | | | | |
| 4660009410601 | 3 | 4660763519110 | 3 | | | | |
| 4660009410602 | 3 | 4660763519310 | 5 | | | | |
| 4660009410701 | 3 | 466084869012T | 11 | | | | |
| 4660009411701 | 3 | 466084869015S | 11 | | | | |
| 4660009411702 | 3 | 466084869018C | 11 | | | | |
| 4660009411703 | 3 | 466084877052T | 7 | | | | |
| 4660009412401 | 3 | 466084877054Z | 7 | | | | |
| 4660009412601 | 3 | 466084877055S | 7 | | | | |
| 4660009412701 | 3 | 466084877057F | 7 | | | | |
| 4660009412702 | 3 | 466084877058C | 7 | | | | |
| 4660009413201 | 5 | 466084877062T | 7 | | | | |
| 4660009413202 | 5 | 466084877064Z | 7 | | | | |
| 4660009416901 | 3 | 466084877065S | 7 | | | | |
| 4660009416902 | 3 | 466084877067F | 7 | | | | |
| 4660009417101 | 3 | 466084877068C | 7 | | | | |
| 4660009422801 | 3 | 466084877162T | 11 | | | | |
| 4660009422802 | 3 | 466084877164Z | 11 | | | | |
| 4660009425901 | 3 | 466084877165S | 11 | | | | |
| 4660009426001 | 3 | 466084877167F | 11 | | | | |
| 4660009426002 | 3 | 466084877168C | 11 | | | | |
| 4660009426801 | 5 | 466094064017F | 11 | | | | |
| 4660009426802 | 5 | 466094064018C | 11 | | | | |
| 4660009426901 | 5 | 466094067017F | 3 | | | | |
| 4660009426902 | 5 | 466094067027F | 3 | | | | |
| 4660009427103 | 5 | 466094753017F | 3 | | | | |
| 4660009427104 | 5 | | | | | | |
| 4660009427201 | 5 | | | | | | |
| 4660009427504 | 5 | | | | | | |
| 4660009427506 | 5 | | | | | | |
| 4660009428001 | 3 | | | | | | |
| 4660009437501 | 3 | | | | | | |
| 4660009439201 | 9 | | | | | | |
| 4660009450003 | 3 | | | | | | |
| 4660009450004 | 3 | | | | | | |
| 4660009455602 | 5 | | | | | | |
| 4660009455603 | 5 | | | | | | |
| 4660009455604 | 5 | | | | | | |
| 4660009455605 | 5 | | | | | | |
| 4660009455606 | 5 | | | | | | |
| 4660009455607 | 5 | | | | | | |
| 4660009455608 | 5 | | | | | | |
| 4660009455701 | 3 | | | | | | |
| 4660009474302 | 3 | | | | | | |
| 4660009474801 | 9 | | | | | | |
| 4660082428428 | 5 | | | | | | |



Spare parts distribution by:

**Carrier Refrigeration AB
Dept: ERD Parts Center
Finnamyrsvägen 4
SE-360 44 Ingelstad
Sweden**

Phone: +46 470 38290 – 38291

Fax: +46 470 38296

Email: parts.erdswe@carrier.utc.com

www.carrierrefrigeration.se