

WGIP-1

End cabinet WG/WI Carisma
Gavelskåp WG/WI Carisma

Utgåveförteckning

WGIP-1

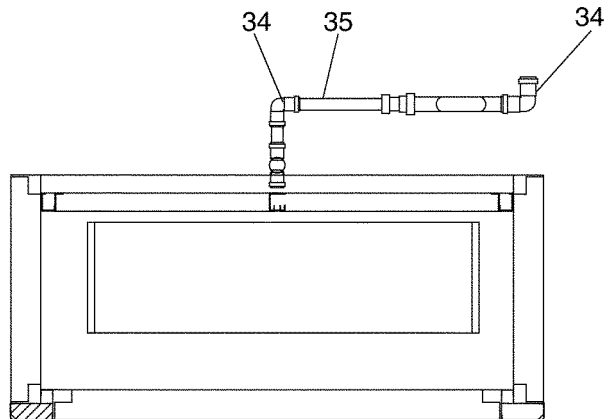
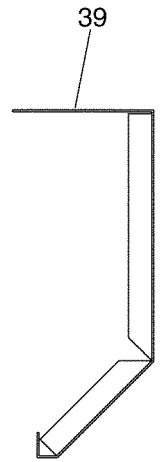
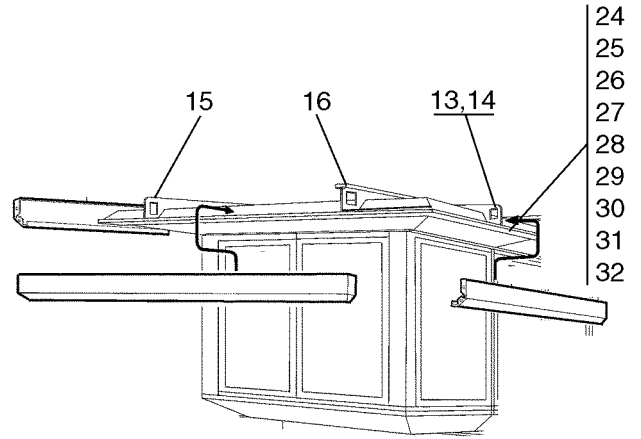
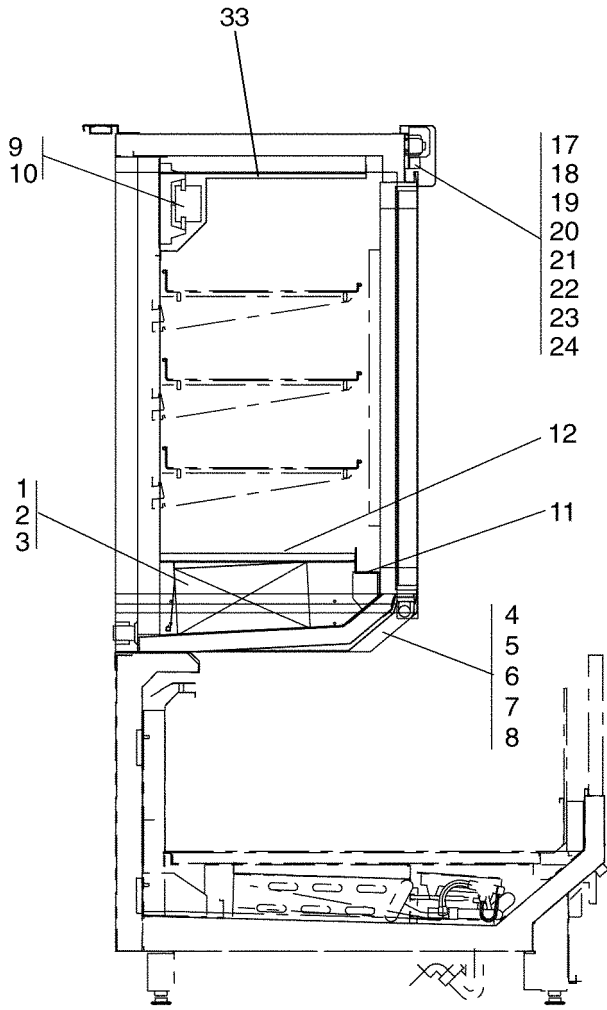
Illustration	Page	Table of contents
200342	7	Glass door
200350	3	Basic details, cabinet

WGIP-1

Table of contents
Basic details, cabinet
Glass door

Innehållsförteckning
Grunddetaljer, disk
Glasdörr

Page/Sida
3
7



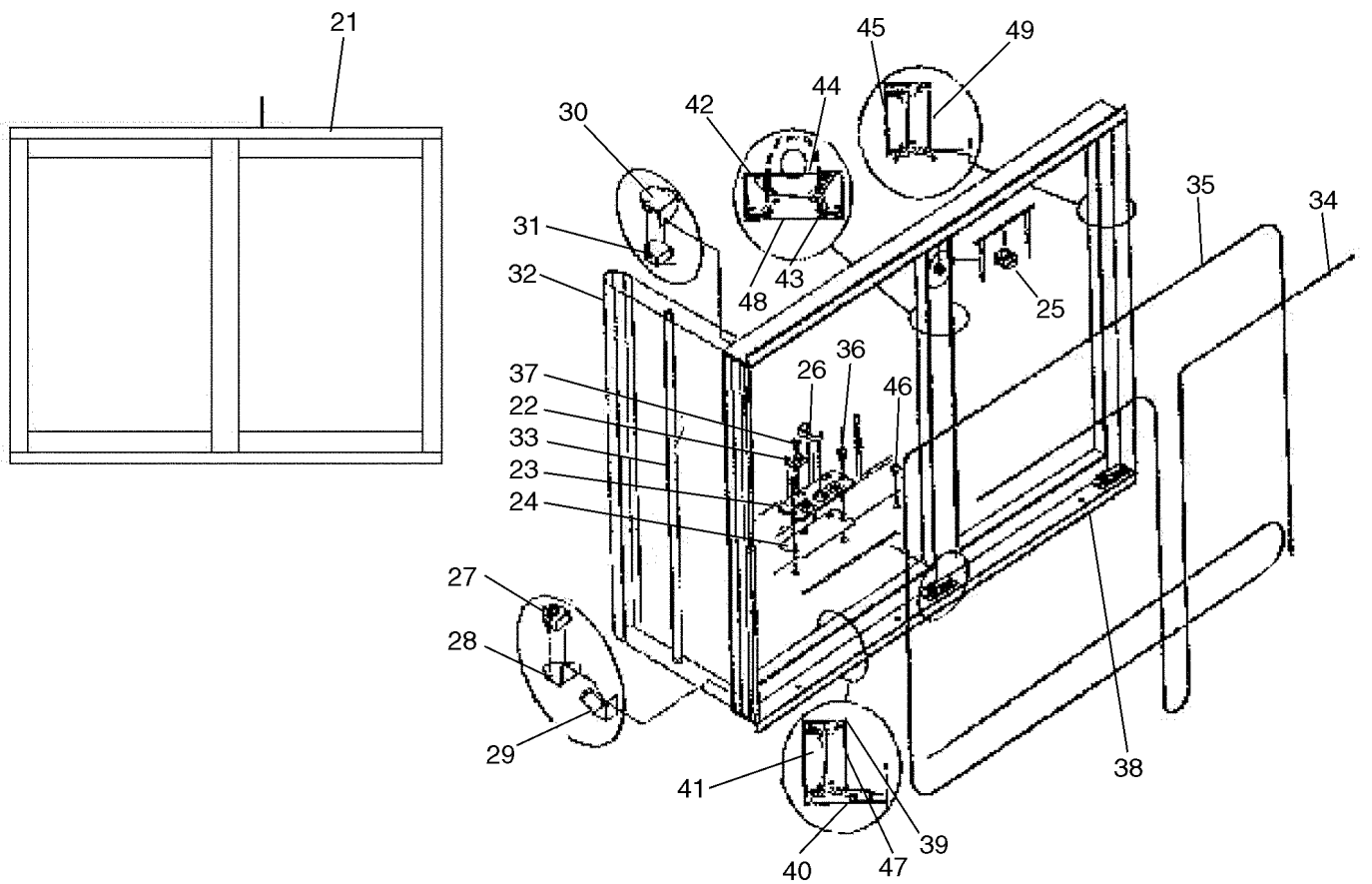
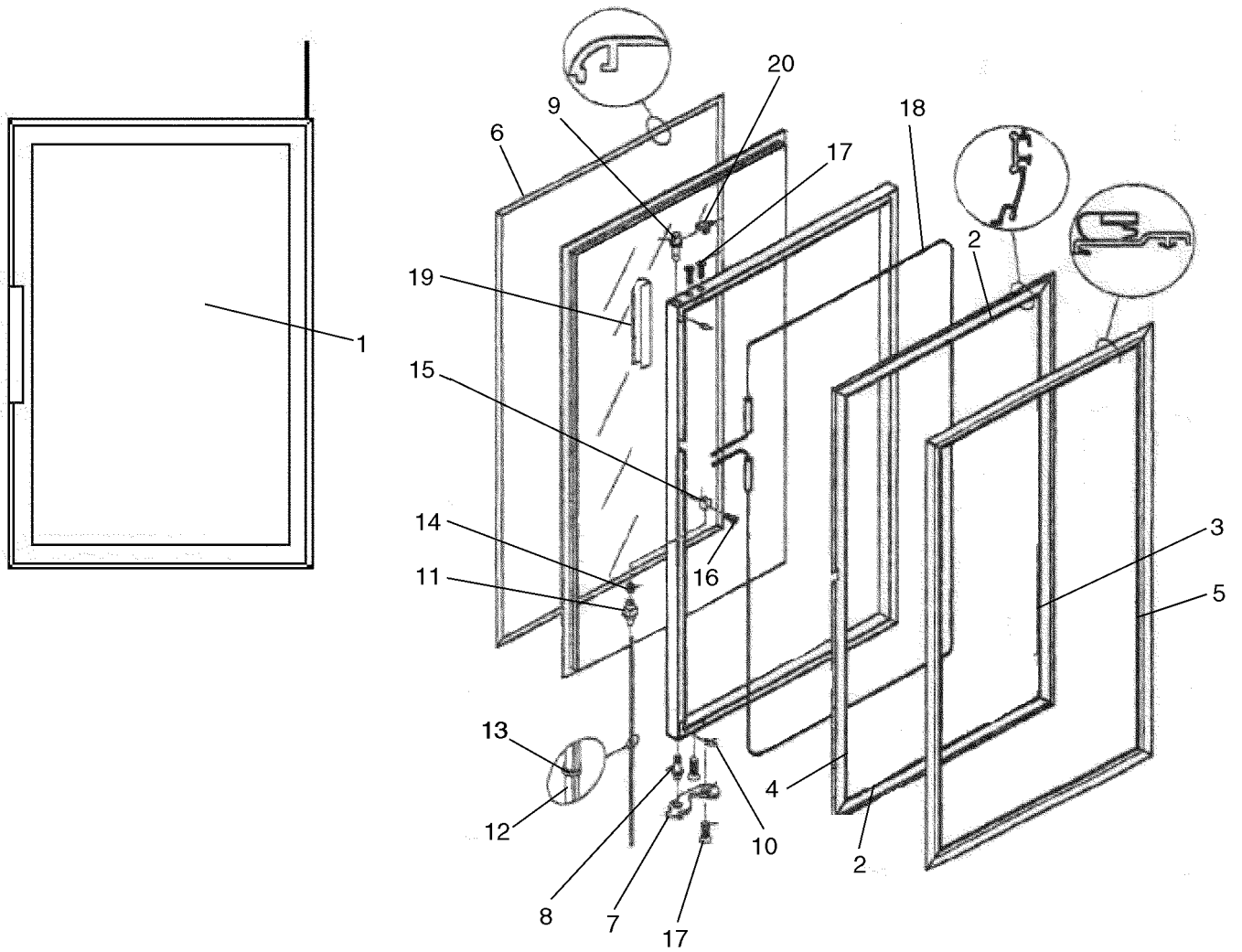
WGIP-1

Basic details, cabinet

Illustration	Issue	Month	Year
Illustration	Utgåva	Månad	År
200350/1	1	2	2001

Grunddetaljer, disk

Item Pos.	Qua Ant.	Art.No Art.nr	Description	Benämning	Info Info	Notes Anmärkning
1	1	4660009436001	Evaporator	Förångare	3	150x300x1050
2	2	4660009426906	Heater Rod	Värmestav	1	560W/230V
3	1	4660009431502	Heater Rod	Värmestav	1	170W/230V
4	1	4660009451301	Decoration plate End cabinet bottom	Dekorplåt under Gavelnskåp	3	White
5	3	4660009430102	Heating wire	Värmetråd	1	30W/230V
6	2	4660761811012	Fluorescent tube socket	Lysrörshållare	1	
7	1	4660761811214	Holder for starter	Glimtändarhållare	3	
8	1	4660761811016	Starter	Glimtändare	2	
9	2	4660009427201	Fan motor	Fläktmotor	1	ELCO NA 10/20-154 6" Incl fan motor ring 154
10	2	4660082428428	Fan blade	Fläktvinge	1	154 H=28
11	1	4660009435801	Return air grid	Returluftgaller	3	White
12	2	4660009412703	Bottom shelf	Bottenhylla	3	444x656 White Complete
13	1	4660009450701	Side support, left compl.	Sidostöd taklåda, vänster kompl.	3	Incl. Ceiling girder and side cord
14	1	4660009450702	Side support, right compl.	Sidostöd taklåda, höger kompl.	3	Incl. Ceiling girder and side cord
15	1	4660009417201	Top beam	Takbalk	3	Complete, left
16	1	4660009417202	Top beam	Takbalk	3	Complete, right
17	1	4660009473203	Light fixture front compl	Armatyr, fram kompl	3	
18	4	4660761811112	Flourescent tube holder	Lysrörshållare	1	With snap-on fastening
19	2	4660767920400	Reactance coil	Reaktor	1	58W, 230V/50Hz
20	2	4660761811016	Starter	Glimtändare	2	
21	2	4660761811214	Holder for starter	Glimtändarhållare	3	
22	1	4660768000400	Capacitor	Kondensator	1	5.3uF/420V/50Hz
23	1	4660009403601	Capacitor holder	Kondensatorhållare	3	
24		4660763513810	Flourescent lighting	Lysrör	3	58W/21-840,L=1500
		4660763516910	Flourescent lighting	Lysrör	3	58W/AURA 737,L=1500
		4660763518910	Flourescent lighting	Lysrör	3	58WAURA 827,L=1500
		4660763519410	Flourescent lighting	Lysrör	3	58WBÄRO 30,L=1500
		4660763513610	Flourescent lighting	Lysrör	3	18W/21-840 L=590
		4660763516610	Flourescent lighting	Lysrör	3	18W/737 AURA L=590
		4660763518210	Flourescent lighting	Lysrör	3	18W/827 AURA L=590
		4660763519110	Flourescent lighting	Lysrör	3	18W/30 BÄRO L=590
25	1	4660009473201	Light fixture, left compl.	Armatyr, vänster kompl	3	
26	1	4660009473202	Light fixture, right compl.	Armatyr, höger kompl	3	
27	8	4660761811112	Flourescent tube holder	Lysrörshållare	1	With snap-on fastening
28	4	4660767920200	Reactance coil	Reaktor	1	18W 230V/50Hz
29	4	4660761811016	Starter	Glimtändare	2	
30	4	4660761811214	Holder for starter	Glimtändarhållare	3	
31	2	4660768000400	Capacitor	Kondensator	1	5.3uF/420V/50Hz
32	2	4660009403601	Capacitor holder	Kondensatorhållare	3	
33	1	4660009455702	Internal cealing, isolated	Innertak, isolerat	3	White
34		4660624411012	Angle connector	Vinkelkoppling	1	32-90 instick
35		4660009455605	Plastic pipe	Plaströr	3	32 L=730
36		4660622101814	Thermometer	Distanstermometer	1	Not showed
37		4660622501040	Thermostat	Termostat	3	EGO 55.18219.010 Not showed
38		4660008238936	Assembly kit	Packsats	3	Not showed
39		0000886010003	Canopy This is an accessory part	Takfront Detta är ett tillbehör		WGIP-WI Choose colour See Prical system, group 14
40		0000886010009	Canopy This is an accessory part	Takfront Detta är ett tillbehör		WGIP-WG Choose colour See Prical system, group 14



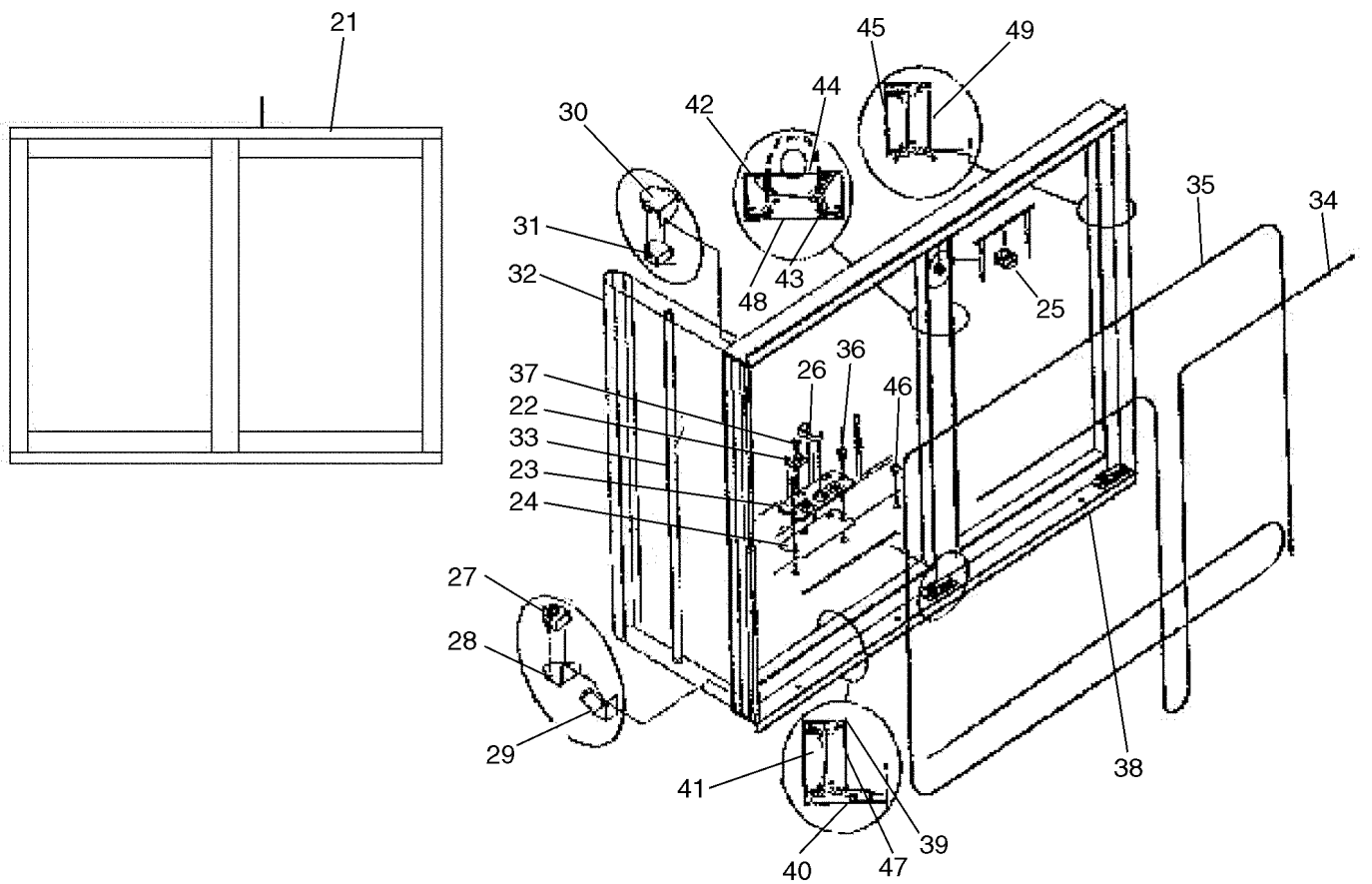
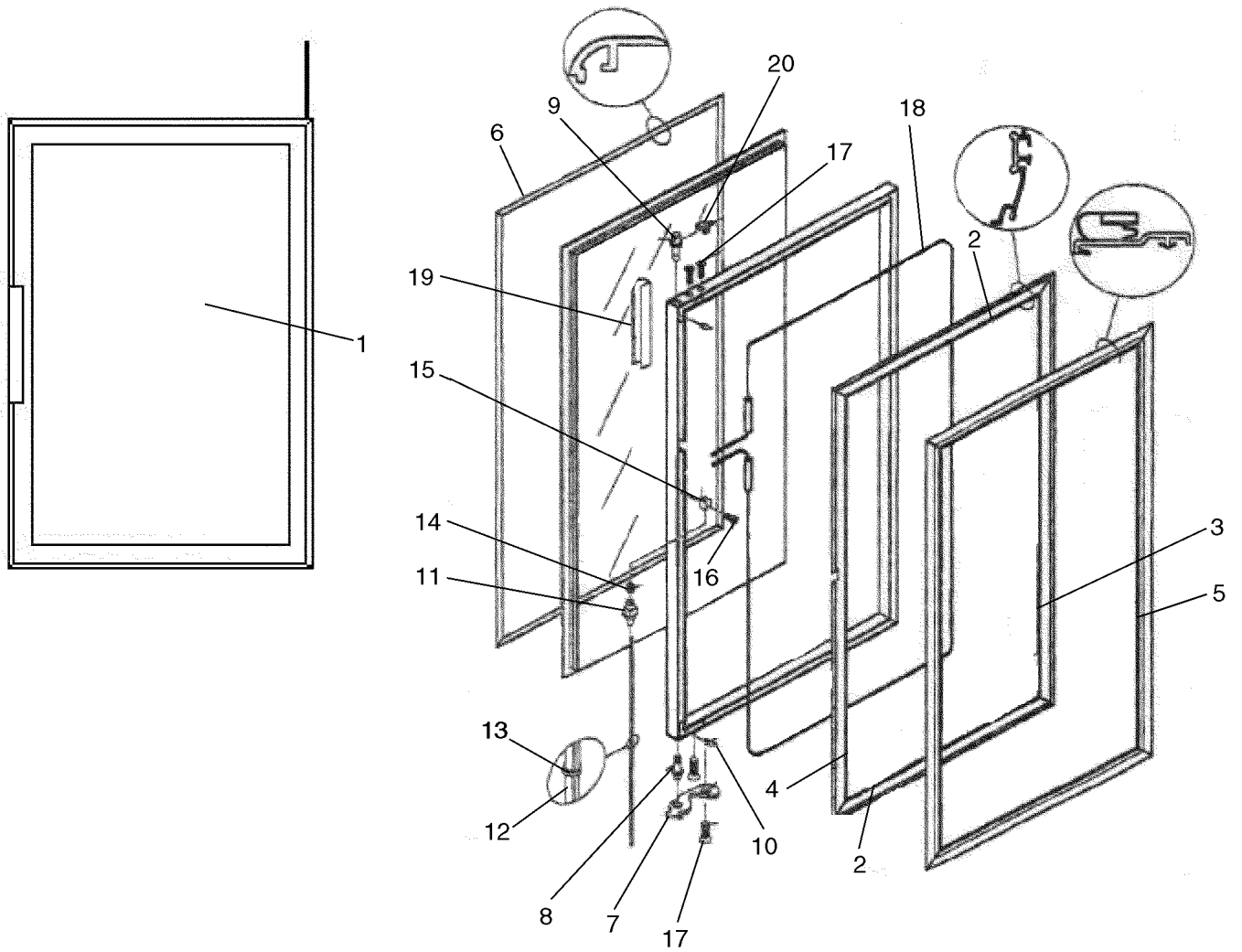
WGIP-1

Glass door

Glasdörr

Illustration	Issue	Month	Year
Illustration	Utgåva	Månad	År
200342/1	1	2	2001

Item Pos.	Qua Ant.	Art.No Art.nr	Description	Benämning	Info Info	Notes Anmärkning
1		4660009450001	Glass door	Glasdörr	3	602x892 Black
		4660009450005	Glass door without handle	Glasdörr utan handtag	3	602x892 Black
		4660009450002	Glass door	Glasdörr	3	602x892 Grey
		4660009450006	Glass door without handle	Glasdörr utan handtag	3	602x892 Grey
2		4660000707766	Locking strip horizontal	Låslist horisontal	1	602x892 Plastic strip
3		4660000707885	Locking strip handle side	Låslist handtagssida	1	602x892 Plastic strip
4		4660000707886	Locking strip pivot side	Låslist gångledssida	1	602x892 Plastic strip
5		4660000793901	Magnetic gasket	Magnetpackning	1	602x892
6		4660000784001	Front strip TF-AGD	Frontlist TF-AGD	1	For black doors
		4660000784002	Front strip TF-AGD	Frontlist TF-AGD	1	For grey doors
7		4660000704401	Door stop plate	Dörrstopplatta	1	
8		4660000720701	Hinge gap peg	Gångledspinne	1	
9		4660000714801	Hinge gap tap SMP	Gångledstapp SMP	1	
10		4660000780101	Dowel	Låstapp	1	
11		4660000737102	Spring adjustment	Fjäderjustering	1	
12		4660000770801	Spring	Fjäder	1	
13		4660000709601	Spring guide	Fjäderstyrning	1	
14		4660000721801	Spring against door adjustment	Fjäder mot dörrjustering	1	
15		4660000738102	Spring mounting	Fjäderhållare	1	
16		4660000495206	Screw spring holder	Skruv till fjäderhållare	1	
17		4660000550516	Screw corner piece	Skruv till hörnstycke	1	
18		4660000709327	Heating wire	Värmekabel	1	602x892
19		4660000784204	Handle	Handtag	1	Black TF-AGD
		4660000784206	Handle	Handtag	1	Grey TF-AGD
20		4660000774801	Locking ring	Låsring	1	SMP
21		4660009428001	Frame glass door	Karmparti	1	H=930 2-doors
22		4660000207034	Door stop	Dörrstopp	1	
23		4660000207552	Hinge gap plate	Gångledsplatta	1	
24		4660000779101	Mounting rail pad	Underläggsplåt	1	
25		4660000766701	Plastic bushing	Plastbussning	1	
26		4660000207033	Spring door opening holder	Fjäder dörröppningshållare	1	
27		4660000711602	Flourescent tube holder	Lysrörshållare	1	With spring
28		4660000711502	Angle fluorescent tube holder	Vinkel för lysrörshållare	1	
29		4660000202115	Spring mounting	Fjäderhållare	1	
30		4660000202117	Bracket lamp base top	Konsol för lampurtag topp	1	
31		4660000711603	Flourescent tube holder	Lysrörshållare	1	Without spring
32		4660000750905	Lamp chimney	Lampkåpa	1	Acrylic plastic
33		4660763513610	Flourescent lighting	Lysrör	3	18W/21-840 L=590 Standard
		4660763511010	Flourescent lighting	Lysrör	3	18W/31-830,L=590
		4660763516610	Flourescent lighting	Lysrör	3	18W/737 AURA L=590
		4660763518210	Flourescent lighting	Lysrör	3	18W/827 AURA L=590
		4660763519110	Flourescent lighting	Lysrör	3	18W/30 BÄRO L=590
34		4660000746341	Heating wire	Värmekabel	1	Long
35		4660000746455	Heating wire	Värmekabel	1	Short
36		4660000207788	Screw for hinge gap plate	Skruv för gångledsplatta	1	
37		4660000495208	Screw for door stop	Skruv för dörrstopp	1	
38		4660000572825	Frame fixing screw	Karminfästningsskruv	1	
39		4660000724635	Plastic profile	Plastprofil	1	7246 Horizontal
40		4660000724712	Plastic profile	Plastprofil	1	7727 Horizontal
41		4660000724935	Plastic profile	Plastprofil	1	7249 Horizontal
42		4660000725019	Plastic profile	Plastprofil	1	7250 Mullion
43		4660000724816	Plastic profile	Plastprofil	1	7248 Heatingwire
44		4660000724947	Plastic profile	Plastprofil	1	7249 Vertical
45		4660000724916	Plastic profile	Plastprofil	1	7249 T-lock
46		4660000208930	Plug	Plugg	1	
47		4660000731732	Cover plate	Täckplåt	1	7243 Horizontal
48		4660000732812	Cover plate	Täckplåt	1	7242 Mullion H=930



WGIP-1

Glass door

Glasdörr

Illustration	Issue	Month	Year
Illustration	Utgåva	Månad	År
200342/1	1	2	2001

Item Pos.	Qua Ant.	Art.No Art.nr	Description	Benämning	Info Info	Notes Anmärkning
49		4660000732710	Cover plate	Täckplåt	1	7243 Vertical H=930

Numerical index/Nummerregister

Art.No/Art.nr	Page/Sida	Art.No/Art.nr	Page/Sida	Art.No/Art.nr	Page/Sida	Art.No/Art.nr	Page/Sida
0000886010003	3	4660009450701	3				
0000886010009	3	4660009450702	3				
4660000202115	5	4660009451301	3				
4660000202117	5	4660009455605	3				
4660000207033	5	4660009455702	3				
4660000207034	5	4660009473201	3				
4660000207552	5	4660009473202	3				
4660000207788	5	4660009473203	3				
4660000208930	5	4660082428428	3				
4660000495206	5	4660622101814	3				
4660000495208	5	4660622501040	3				
4660000550516	5	4660624411012	3				
4660000572825	5	4660761811012	3				
4660000704401	5	4660761811016	3				
4660000707766	5	4660761811112	3				
4660000707885	5	4660761811214	3				
4660000707886	5	4660763511010	5				
4660000709327	5	4660763513610	3				
4660000709601	5	4660763513610	5				
4660000711502	5	4660763513810	3				
4660000711602	5	4660763516610	3				
4660000711603	5	4660763516610	5				
4660000714801	5	4660763516910	3				
4660000720701	5	4660763518210	3				
4660000721801	5	4660763518210	5				
4660000724635	5	4660763518910	3				
4660000724712	5	4660763519110	3				
4660000724816	5	4660763519110	5				
4660000724916	5	4660763519410	3				
4660000724935	5	4660767920200	3				
4660000724947	5	4660767920400	3				
4660000725019	5	4660768000400	3				
4660000731732	5						
4660000732710	7						
4660000732812	5						
4660000737102	5						
4660000738102	5						
4660000746341	5						
4660000746455	5						
4660000750905	5						
4660000766701	5						
4660000770801	5						
4660000774801	5						
4660000779101	5						
4660000780101	5						
4660000784001	5						
4660000784002	5						
4660000784204	5						
4660000784206	5						
4660000793901	5						
4660008238936	3						
4660009403601	3						
4660009412703	3						
4660009417201	3						
4660009417202	3						
4660009426906	3						
4660009427201	3						
4660009428001	5						
4660009430102	3						
4660009431502	3						
4660009435801	3						
4660009436001	3						
4660009450001	5						
4660009450002	5						
4660009450005	5						
4660009450006	5						



Electrolux Commercial Refrigeration AB, Box 53, SE-360 44 Ingelstad, Sweden
Phone +46 470 734 400, Fax +46 470 734 496

Spareparts Distribution By: Electrolux Wascator Spareparts Division, SE-341 80 Ljungby, Sweden
Phone +46 372 661 00. Fax +46 372 861 75. E-mail: spare.parts@wascator.electrolux.se