

WI 250-1, WI 375-1

---

Combiset with canopy Carisma  
Kombidisk med taklåda Carisma

---

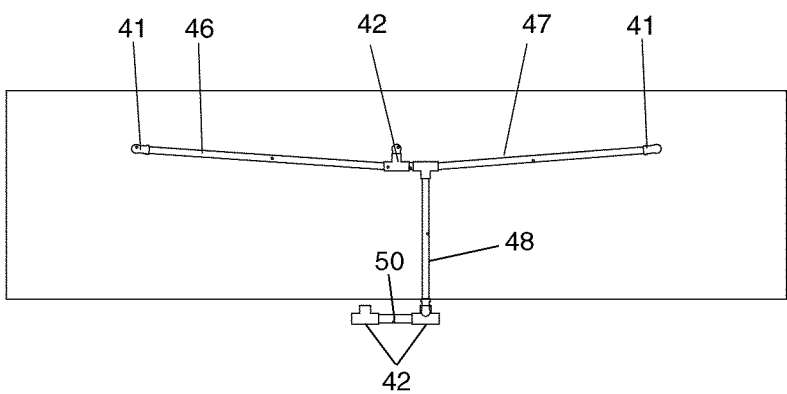
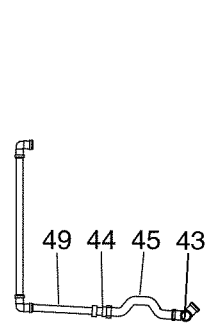
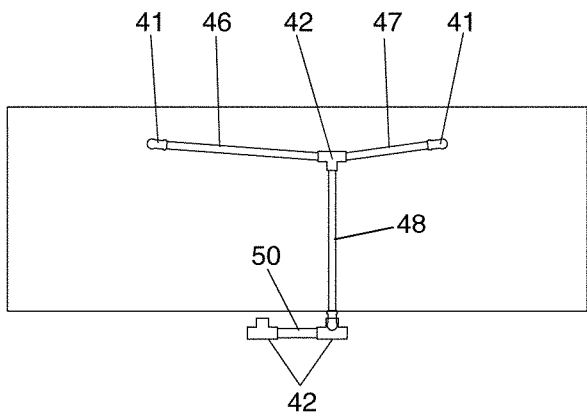
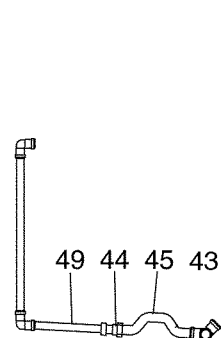
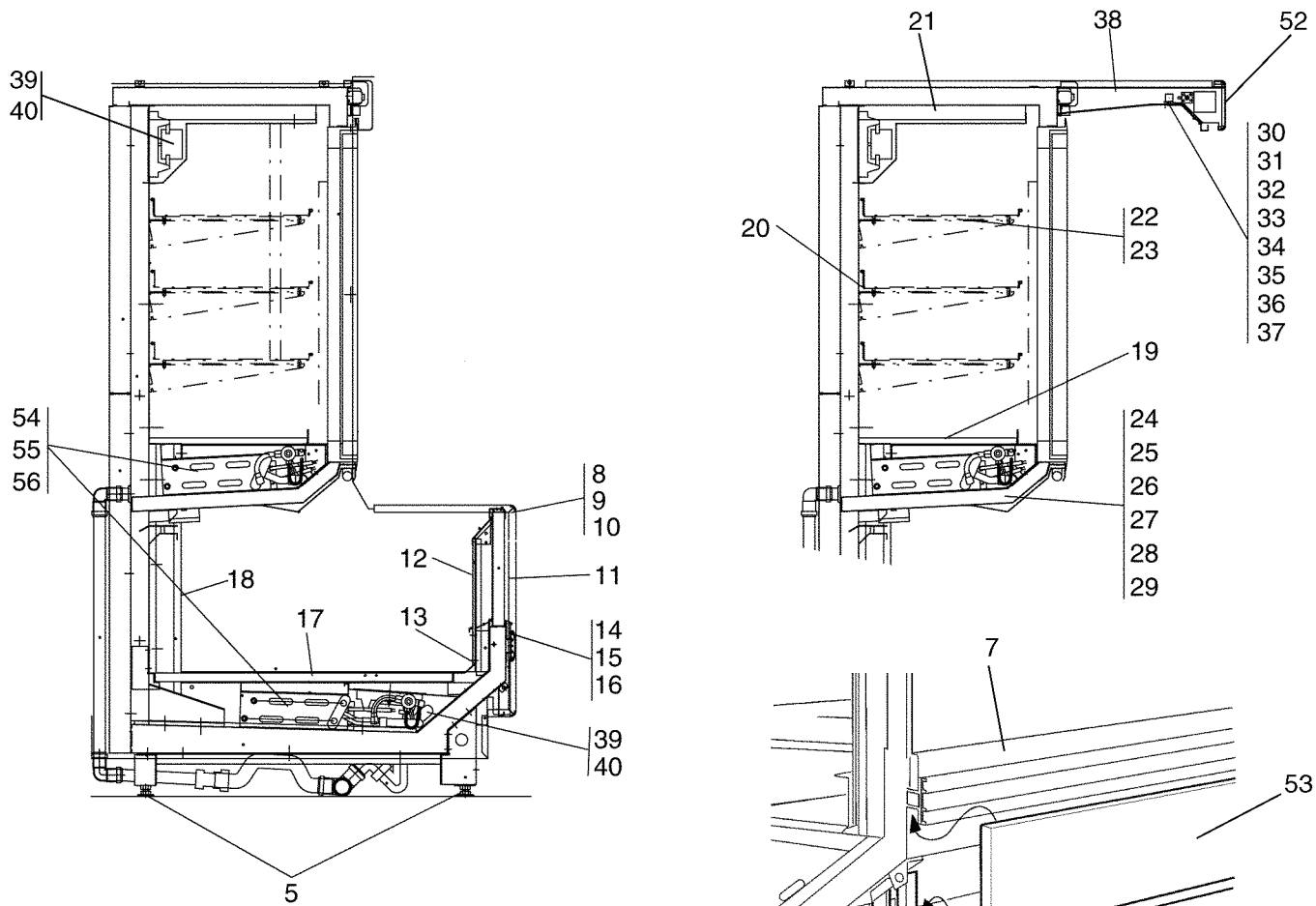
## Utgåveförteckning

WI-250-1,WI-375-1

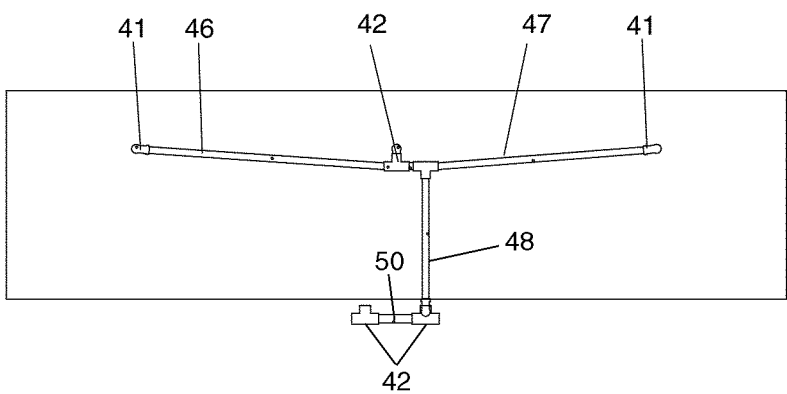
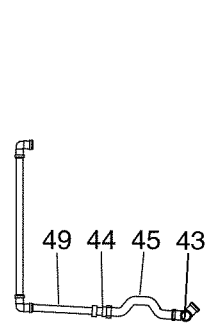
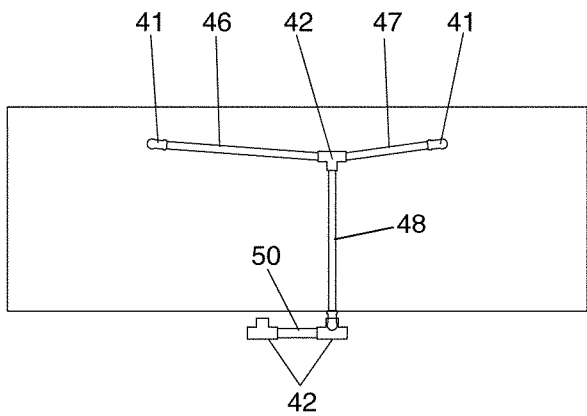
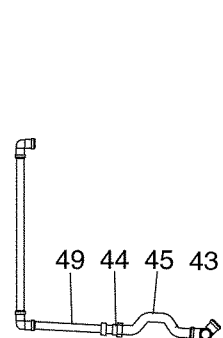
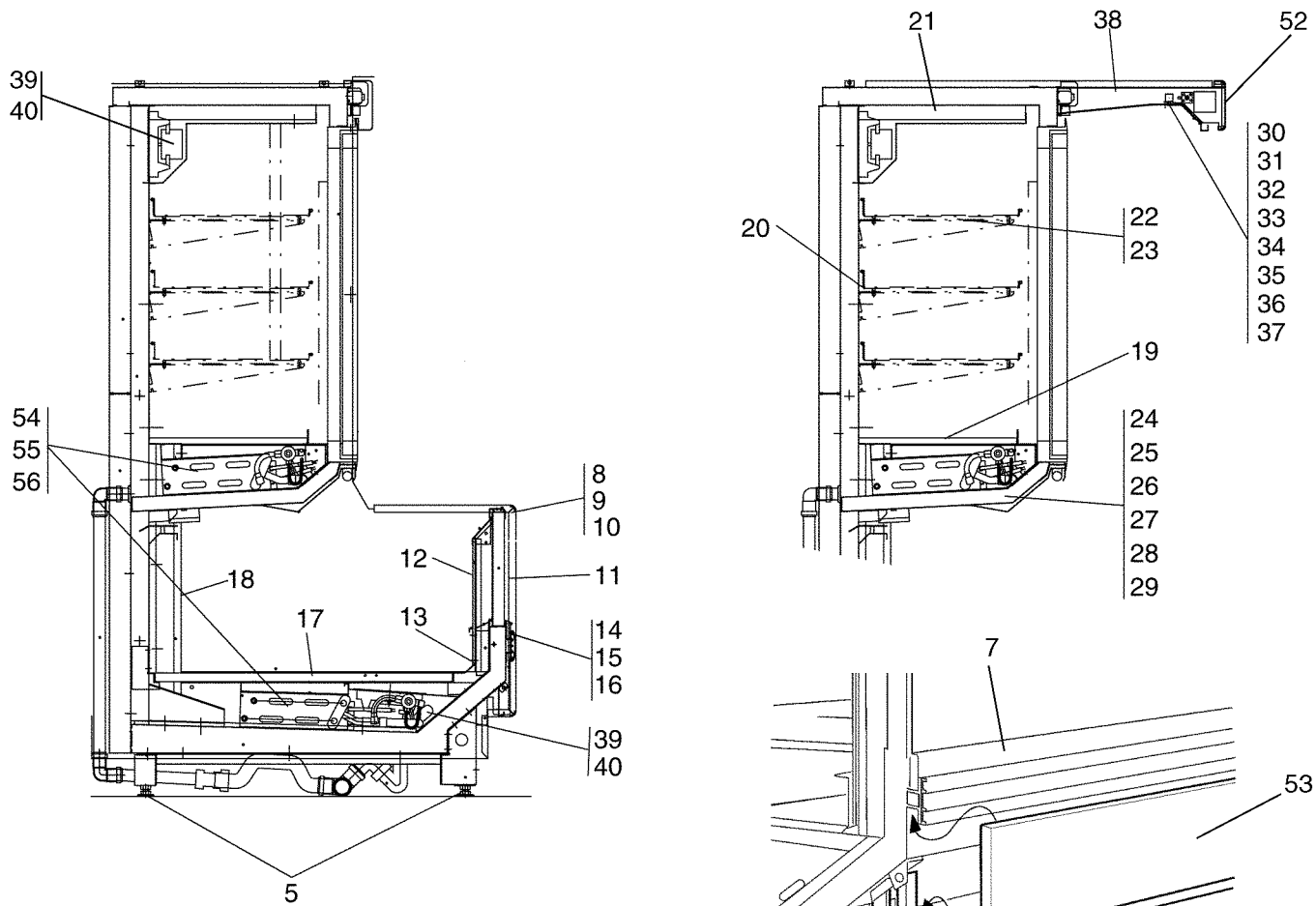
Illustration	Page	Table of contents
200340	3	Basic details, cabinet
200341	7	Design details, cabinet
200342	9	Glass door
200343	13	Endwall details
200344	17	Design details, endwalls
200345	19	Spare part for accessories

## WI-250-1, WI-375-1

Table of contents	Innehållsförteckning	Page/Sida
Basic details, cabinet	Grunddetaljer, disk	3
Design details, cabinet	Design detaljer, disk	7
Glass door	Glasdörr	9
Endwall details	Gaveldetaljer	13
Design details, endwalls	Design detaljer, gavlar	17
Spare part for accessories	Reservdelar för tillbehör	19







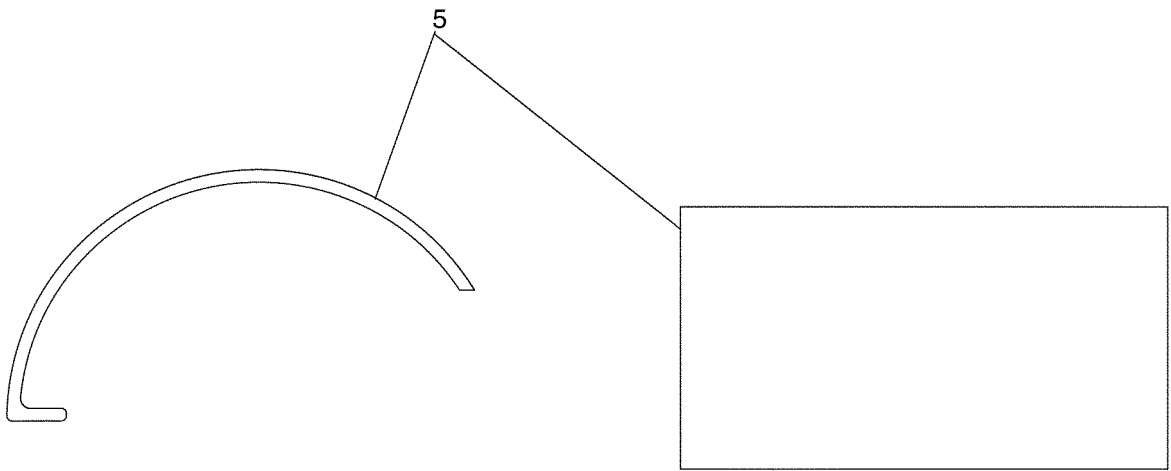
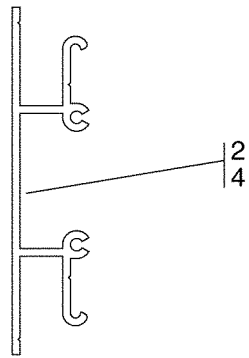
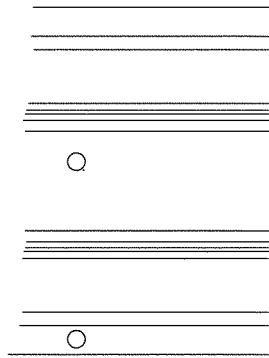
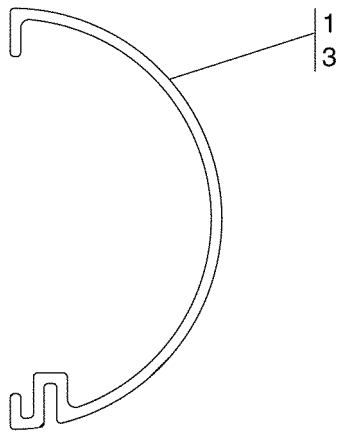
WI-250-1,WI-375-1

Basic details, cabinet

Grunddetaljer, disk

Illustration Issue Month Year  
Illustration Utgåva Månad År  
200340/1 1 1 2001

Item Pos.	Quantity Antal	Art.No Art.nr	Description	Benämning	Info Info	Notes Anmärkning
			WI-250-1			
			WI-375-1			
33	4	6	4660761811016	Starter	2	St111 singel
34	4	6	4660761811214	Holder for starter	3	Type 2
35			4660768000100	Capacitor phase compensator	1	3,6µF/420V/50Hz
36			4660767200200	Circuit breaker	1	16A/230V
37	6	9	4660763513010	Flourescent lighting	1	36W/21-840, L=1200 Standard
			4660763511210	Flourescent lighting	1	36W/31-830, L=1200
			4660763516810	Flourescent lighting	1	36W/AURA 737, L=1200
			4660763518410	Flourescent lighting	3	36W/AURA 827, L=1200
			4660763519310	Flourescent lighting	3	36W/BÄRO 30, L=1200
38	2	3	4660009417201	Top beam	3	Complete, left
	2	3	4660009417202	Top beam	3	Complete, right
39			4660009427201	Fan motor	1	ELCO NA 10/20-154 6" Incl fan motor ring 154
40			4660082428428	Fan blade	1	154 H=28
41	3	3	4660624411012	Angle connector	1	32-90 instick
42	1	2	4660624411010	T-tube	1	32/32-90
43	2	2	4660624411210	T-tube	1	40/40-90
44	1	1	4660624111411	Coupling sleeve, drain	3	32/40
45	1	1	4660007391301	Hydraulic lock	3	
46	1		4660009455605	Plastic pipe	3	32 L=730
		1	4660009455607	Plastic pipe	3	32 L=1200
47	1		4660009455608	Plastic pipe	3	32 L=430
		1	4660009455606	Plastic pipe	3	32 L=1080
48	1		4660009455604	Plastic pipe	3	32 L=645
		1	4660009455603	Plastic pipe	3	32 L=615
49	1	1	4660009455602	Plastic pipe	3	32 L=300
50	1	1	4660007323721	Plastic pipe	3	32 L=240
51			4660008238934	Assembly kit	3	Not showed
52	1		0000886010001	Canopy Carisma This is an accessory part		Choose colour See Prical system, group 14
	1		0000886010013	Upper front panel, heighten This is an accessory part		H=215 Choose colour See Prical system, group 14
	1		0000886010002	Canopy Carisma This is an accessory part		Choose colour See Prical system, group 14
	1		0000886010014	Upper front panel, heighten This is an accessory part		H=215 Choose colour See Prical system, group 14
53	1		000088676058	Frontpanel This is an accessory part		Choose colour See Prical system, group 14
	1		000088676059	Frontpanel This is an accessory part		Choose colour See Prical system, group 14
54	2		4660009426801	Evaporator	1	100x300x2200
	2		4660009426802	Evaporator	1	100x300x3450
55	4		4660009426901	Heater Rod	1	1285W/230V Front
	6		4660009426902	Heater Rod	1	1970W/230V Front
56	2		4660009427103	Heater Rod	1	320W/230V Rear





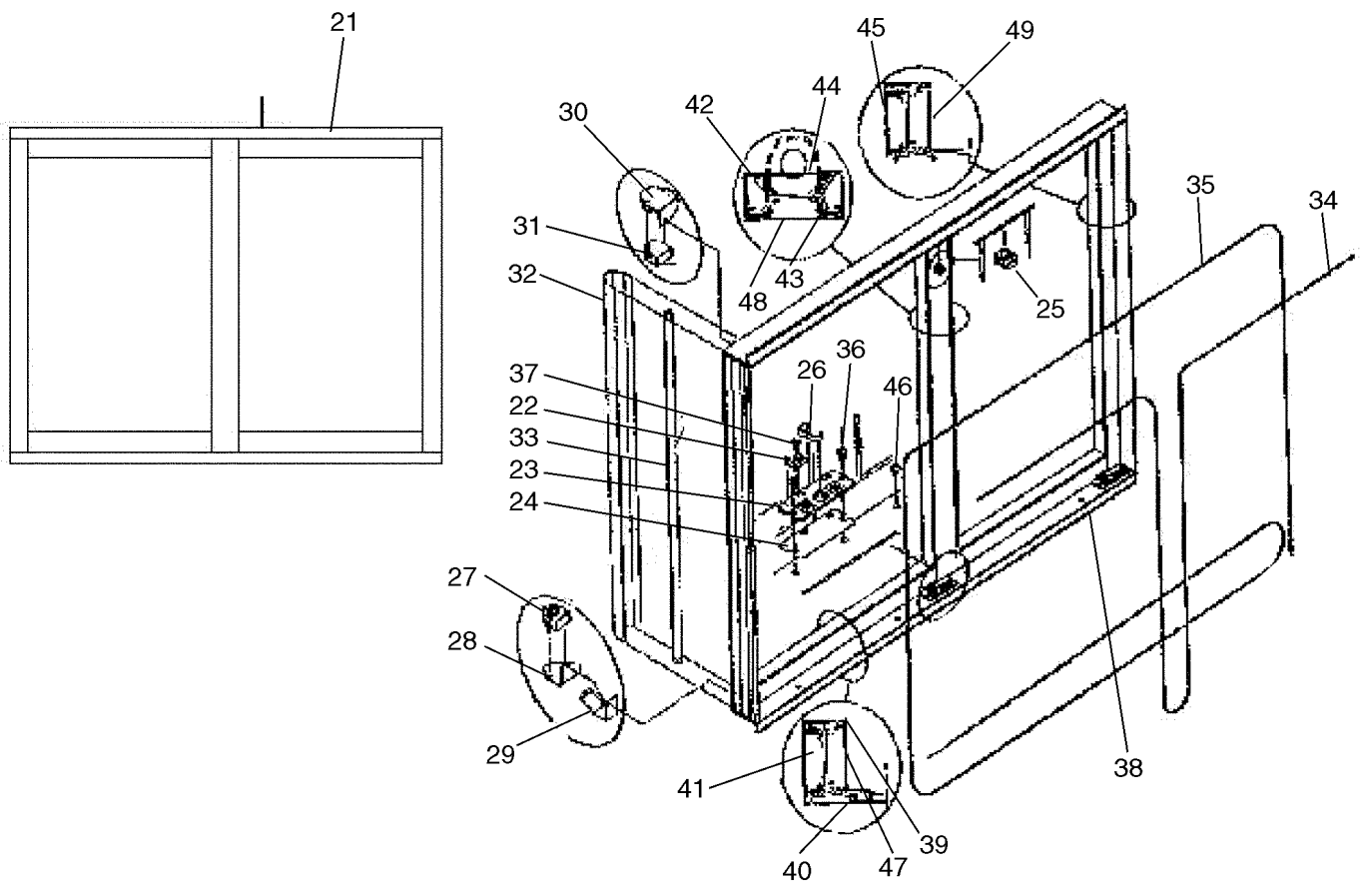
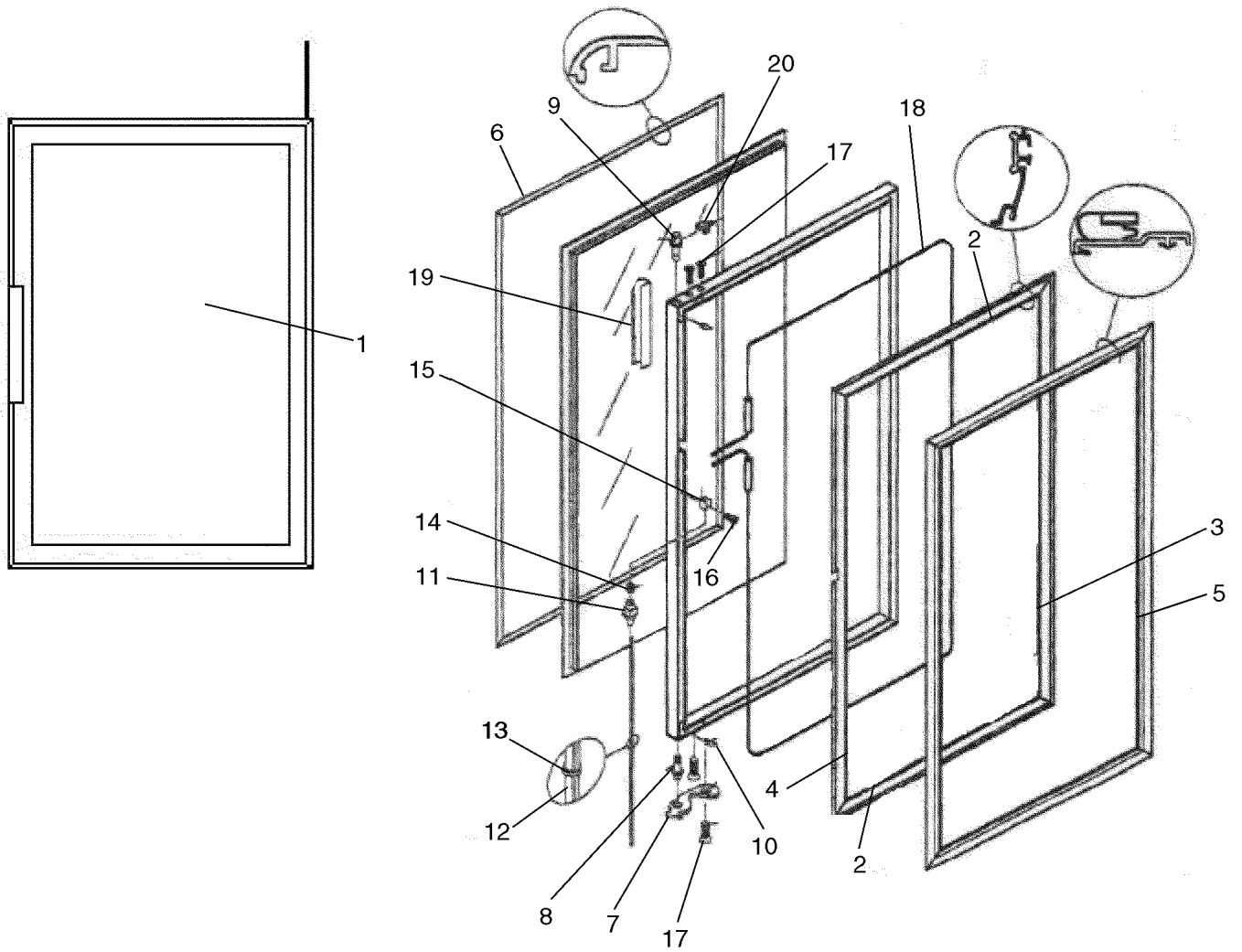
WI-250-1,WI-375-1

Designdetails, cabinet

Illustration	Issue	Month	Year
Illustration	Utgåva	Månad	År
200341/1	1	1	2001

Designdetaljer, disk

Item Pos.	Quantity Antal	Art.No Art.nr	Description	Benämning	Info Info	Notes Anmärkning
			WI-250-1			
			WI-375-1			
1	1	4660008258901	Bumperprofile Carisma	Bumperprofil Carisma	1	L=2500 Black NCS 9502-G Design 1 lower
	1	466082589012R	Bumperprofile Carisma	Bumperprofil Carisma	1	L=2500 Blue NCS 3070-R80B Design 1 lower
	1	466082589013F	Bumperprofile Carisma	Bumperprofil Carisma	3	L=2500 Yellow NCS 0080-Y10R Design 1 lower
	1	466082589014E	Bumperprofile Carisma	Bumperprofil Carisma	3	L=2500 Green NCS 2070-G Design 1 lower
	1	466082589014Q	Bumperprofile Carisma	Bumperprofil Carisma	3	L=2500 Green RAL 6018 Design 1 lower
	1	466082589015I	Bumperprofile Carisma	Bumperprofil Carisma	3	L=2500 Red NCS 1090-Y90R Design 1 lower
	1	466082589017C	Bumperprofile Carisma	Bumperprofil Carisma	1	L=2500 Grey NCS 4500 Design 1 lower
2	1	4660009418101	Mounting profile, Bumper Carisma	Fästprofil, Bumper Carisma	3	L=2488 Metal-sheet profil
3	1	4660008258902	Bumperprofile Carisma	Bumperprofil Carisma	1	L=3750 Black NCS 9502-G Design 1 lower
	1	466082589022R	Bumperprofile Carisma	Bumperprofil Carisma	3	L=3750 Blue NCS 3070-R80B Design 1 lower
	1	466082589023F	Bumperprofile Carisma	Bumperprofil Carisma	3	L=3750 Yellow NCS 0080-Y10R Design 1 lower
	1	466082589024E	Bumperprofile Carisma	Bumperprofil Carisma	3	L=3750 Green NCS 2070-G Design 1 lower
	1	466082589024Q	Bumperprofile Carisma	Bumperprofil Carisma	3	L=3750 Green RAL 6018 Design 1 lower
	1	466082589025I	Bumperprofile Carisma	Bumperprofil Carisma	3	L=3750 Red NCS 1090-Y90R Design 1 lower
	1	466082589027C	Bumperprofile Carisma	Bumperprofil Carisma	1	L=3750 Grey NCS 4500 Design 1 lower
4	1	4660009418102	Mounting profile, Bumper Carisma	Fästprofil, Bumper Carisma	3	L=3737 Metal-sheet profil Design 1 lower
5		4660009049702	Bumper lengthening-piece, Carisma	Bumperskarvprofil, Carisma	1	Black NCS 9502-G Design 1 lower
		466090497022R	Bumper lengthening-piece, Carisma	Bumperskarvprofil, Carisma	1	Blue NCS 3070-R80B Design 1 lower
		466090497023F	Bumper lengthening-piece, Carisma	Bumperskarvprofil, Carisma	1	Yellow NCS 0080-Y10R Design 1 lower
		466090497024E	Bumper lengthening-piece, Carisma	Bumperskarvprofil, Carisma	1	Green NCS 2070-G Design 1 lower
		466090497024Q	Bumper lengthening-piece, Carisma	Bumperskarvprofil, Carisma	1	Green RAL 6018 Design 1 lower
		466090497025I	Bumper lengthening-piece, Carisma	Bumperskarvprofil, Carisma	1	Red NCS 1090-Y90R Design 1 lower
		466090497027C	Bumper lengthening-piece, Carisma	Bumperskarvprofil, Carisma	1	Grey NCS 4500 Design 1 lower



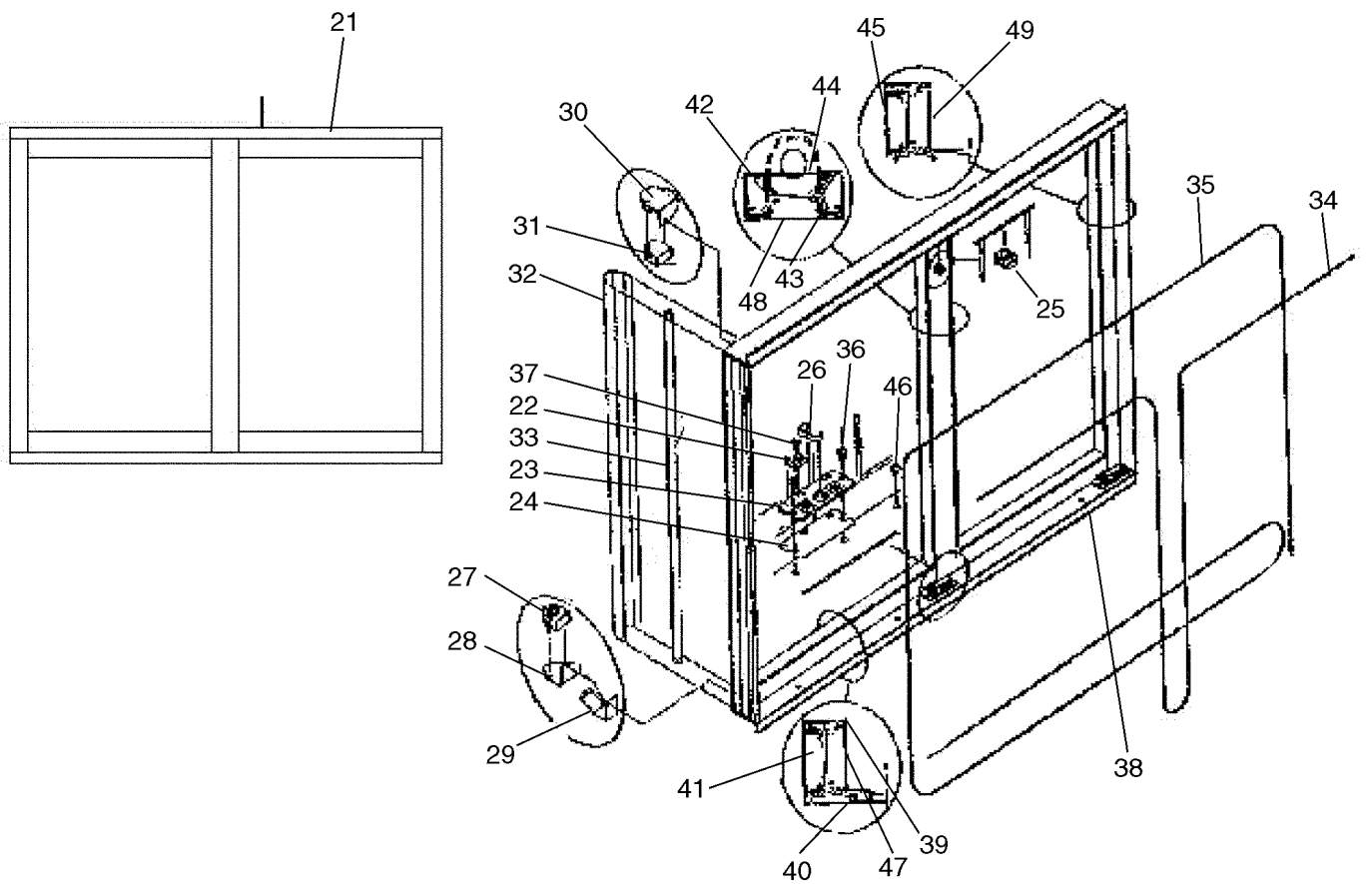
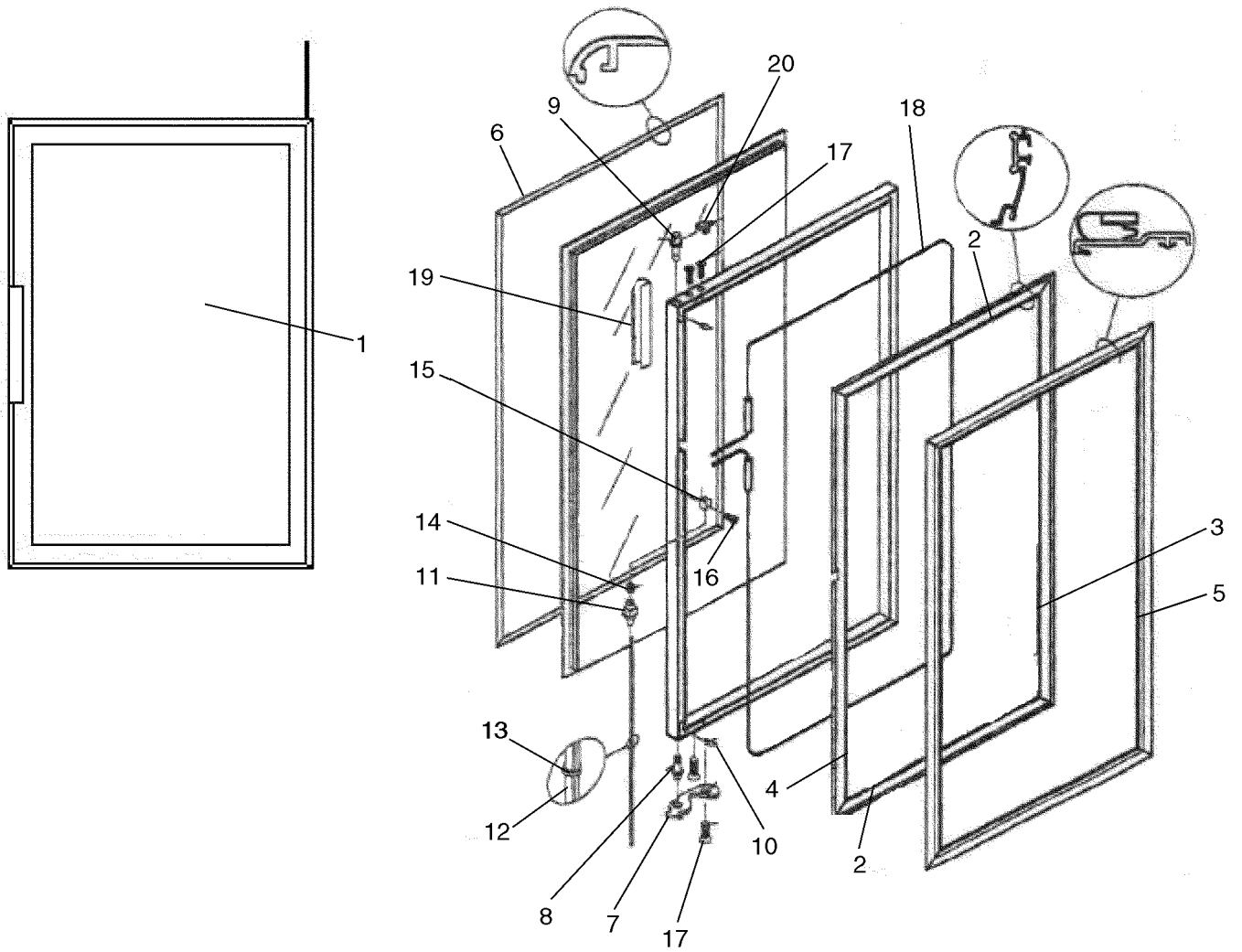
WI-250-1,WI-375-1

Glass door

Glasdörr

Illustration	Issue	Month	Year
Illustration	Utgåva	Månad	År
200342/1	1	1	2001

Item Pos.	Quantity Antal	Art.No Art.nr	Description	Benämning	Info Info	Notes Anmärkning
			WI-250-1			
			WI-375-1			
1		4660009450001	Glass door	Glasdörr	3	602x892 Black
		4660009450002	Glass door	Glasdörr	3	602x892 Grey
2		4660000707766	Locking strip horizontal	Låslist horisontal	1	602x892 Plastic strip
3		4660000707885	Locking strip handle side	Låslist handtagssida	1	602x892 Plastic strip
4		4660000707886	Locking strip pivot side	Låslist gångledssida	1	602x892 Plastic strip
5		4660000793901	Magnetic gasket	Magnetpackning	1	602x892
6		4660000784001	Front strip TF-AGD	Frontlist TF-AGD	1	For black doors
		4660000784002	Front strip TF-AGD	Frontlist TF-AGD	1	For grey doors
7		4660000704401	Door stop plate	Dörrstopplatta	1	
8		4660000720701	Hinge gap peg	Gångledspinne	1	
9		4660000714801	Hinge gap tap SMP	Gångledstapp SMP	1	
10		4660000780101	Dowel	Låstapp	1	
11		4660000737102	Spring adjustment	Fjäderjustering	1	
12		4660000770801	Spring	Fjäder	1	
13		4660000709601	Spring guide	Fjäderstyrning	1	
14		4660000721801	Spring against door adjustment	Fjäder mot dörrjustering	1	
15		4660000738102	Spring mounting	Fjäderhållare	1	
16		4660000495206	Screw spring holder	Skruv till fjäderhållare	1	
17		4660000550516	Screw corner piece	Skruv till hörnstycke	1	
18		4660000709327	Heating wire	Värmekabel	1	602x892
19		4660000784204	Handle	Handtag	1	Black TF-AGD
		4660000784206	Handle	Handtag	1	Grey TF-AGD
20		4660000774801	Locking ring	Låsring	1	SMP
21		4660009428001	Frame glass door	Karmparti	1	H=930 2-doors
22		4660000207034	Door stop	Dörrstopp	1	
23		4660000207552	Hinge gap plate	Gångledsplatta	1	
24		4660000779101	Mounting rail pad	Underläggsplåt	1	
25		4660000766701	Plastic bushing	Plastbussning	1	
26		4660000207033	Spring door opening holder	Fjäder dörröppningshållare	1	
27		4660000711602	Flourescent tube holder	Lysrörshållare	1	With spring
28		4660000711502	Angle flourescent tube holder	Vinkel för lysrörshållare	1	
29		4660000202115	Spring mounting	Fjäderhållare	1	
30		4660000202117	Bracket lamp base top	Konsol för lampurtag topp	1	
31		4660000711603	Flourescent tube holder	Lysrörshållare	1	Without spring
32		4660000750905	Lamp chimney	Lampkåpa	1	Acrylic plastic
33		4660763513610	Flourescent lighting	Lysrör	3	18W/21-840 L=590 Standard
		4660763511010	Flourescent lighting	Lysrör	3	18W/31-830,L=590
		4660763516610	Flourescent lighting	Lysrör	3	18W/737 AURA L=590
		4660763518210	Flourescent lighting	Lysrör	3	18W/827 AURA L=590
		4660763519110	Flourescent lighting	Lysrör	3	18W/30 BÄRO L=590
34		4660000746341	Heating wire	Värmekabel	1	Long
35		4660000746455	Heating wire	Värmekabel	1	Short
36		4660000207788	Screw for hinge gap plate	Skruv för gångledsplatta	1	
37		4660000495208	Screw for door stop	Skruv för dörrstopp	1	
38		4660000572825	Frame fixing screw	Karminfästningsskruv	1	
39		4660000724635	Plastic profile	Plastprofil	1	7246 Horizontal
40		4660000724712	Plastic profile	Plastprofil	1	7727 Horizontal
41		4660000724935	Plastic profile	Plastprofil	1	7249 Horizontal
42		4660000725019	Plastic profile	Plastprofil	1	7250 Mullion
43		4660000724816	Plastic profile	Plastprofil	1	7248 Heatingwire
44		4660000724947	Plastic profile	Plastprofil	1	7249 Vertical
45		4660000724916	Plastic profile	Plastprofil	1	7249 T-lock
46		4660000208930	Plug	Plugg	1	
47		4660000731732	Cover plate	Täckplåt	1	7243 Horizontal



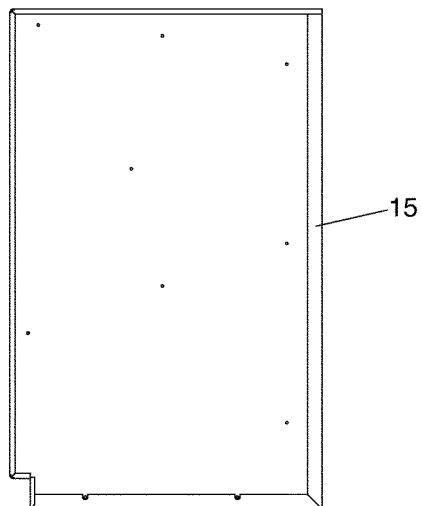
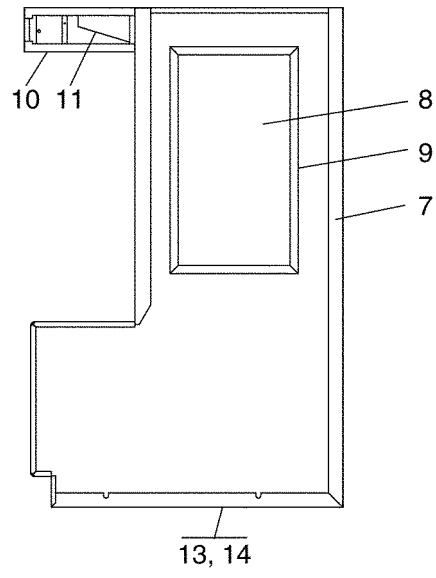
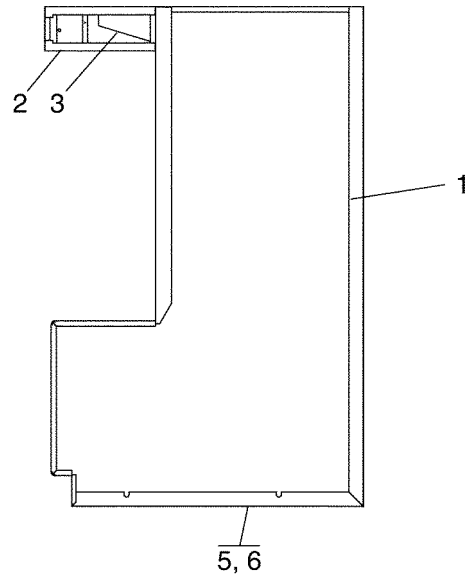
WI-250-1,WI-375-1

Glass door

Glasdörr

Illustration	Issue	Month	Year
Illustration	Utgåva	Månad	År
200342/1	1	1	2001

Item Pos.	Quantity Antal	Art.No Art.nr	Description	Benämning	Info Info	Notes Anmärkning
		WI-250-1				
		WI-375-1				
48		4660000732812	Cover plate	Täckplåt		1 7242 Mullion H=930
49		4660000732710	Cover plate	Täckplåt		1 7243 Vertical H=930



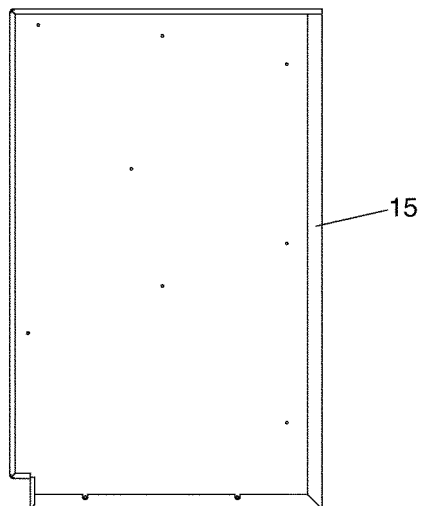
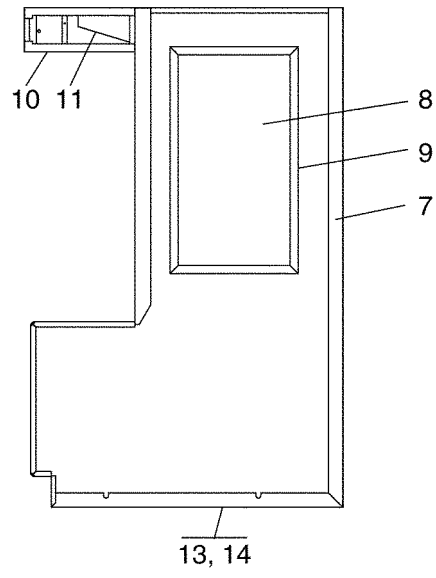
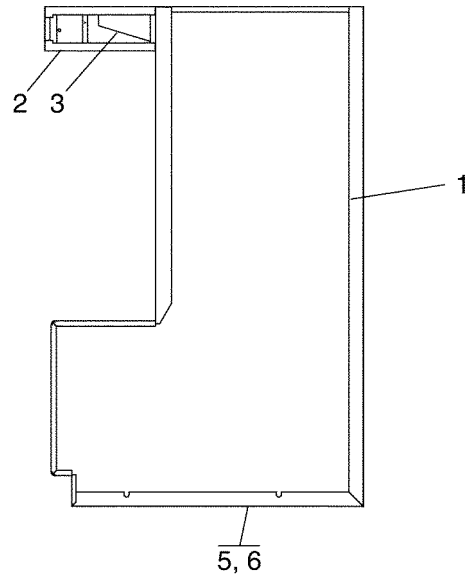
WI-250-1,WI-375-1

Endwalldetails

Illustration	Issue	Month	Year
Illustration	Utgåva	Månad	År
200343/1	1	1	2001

Gaveldetaljer

Item Pos.	Quantity Antal	Art.No Art.nr	Description	Benämning	Info Info	Notes Anmärkning
WI-250-1						
WI-375-1						
1		0000896050013	Endwall Standard, left This is an accessory part	Gavel Standard, vänster Detta är ett tillbehör		Choose colour See Prical system, group 14
		0000896050014	Endwall Standard, right This is an accessory part	Gavel Standard, höger Detta är ett tillbehör		Choose colour See Prical system, group 14
2		4660009446801	Canopy 419 end wall	Taklåda 419 gavel	3	Choose colour For both left and right end wall
3		4660009447101	Internal plate side extension For Canopy endwall left	Invändig plåt sida förlängning För taklåda vänster gavel	3	Choose colour
		4660009447102	Internal plate side extension For Canopy endwall right	Invändig plåt sida förlängning För taklåda höger gavel	3	Choose colour
4		4660822026021	Plastic plug	Plastplugg	1	IKPK 25/22 White Not showed
5		000089410239	Basepanel endwall perforated This is an accessory part	Sockel gavel perforerad Detta är ett tillbehör		Choose colour See Prical system, group 90
6		000089410241	Basepanel endwall perforated, back-back This is an accessory part	Sockel gavel perforerad, rygg-rygg Detta är ett tillbehör		Choose colour See Prical system, group 90
7		0000896050113	Glazed endwall, left This is an accessory part	Gavel glasad vänster Detta är ett tillbehör		Choose colour See Prical system, group 14
		0000896050114	Glazed endwall, right This is an accessory part	Gavel glasad höger Detta är ett tillbehör		Choose colour See Prical system, group 14
8		4660009439201	Insulating glass	Isolerglas	3	50x453x828 Glazed endwall
9		4660009474801		Glasram kompl	3	Grey RAL 7038 505x880
10		4660009446801	Canopy 419 end wall	Taklåda 419 gavel	3	Choose colour For both left and right end wall
11		4660009447101	Internal plate side extension For Canopy endwall left	Invändig plåt sida förlängning För taklåda vänster gavel	3	Choose colour
		4660009447102	Internal plate side extension For Canopy endwall right	Invändig plåt sida förlängning För taklåda höger gavel	3	Choose colour
12		4660822026021	Plastic plug	Plastplugg	1	IKPK 25/22 White Not showed





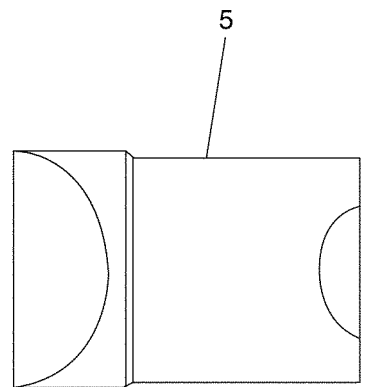
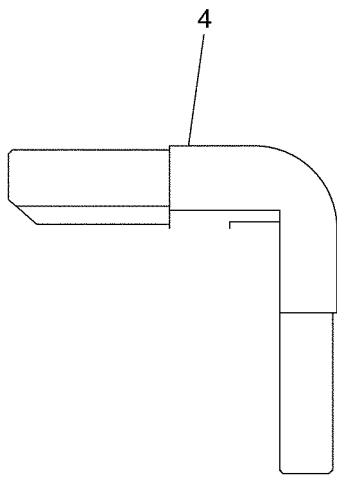
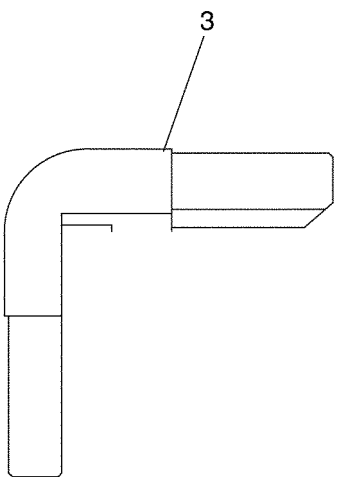
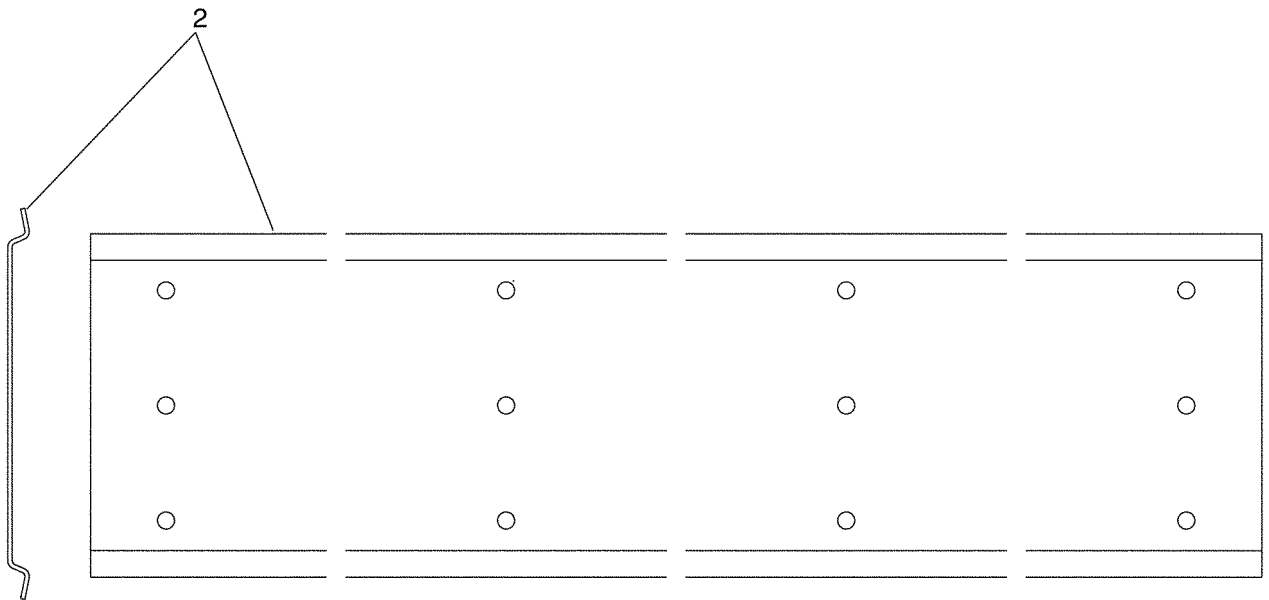
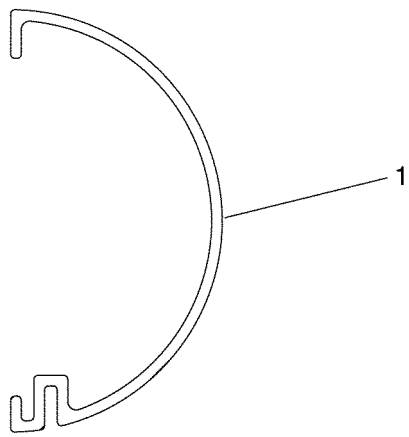
WI-250-1,WI-375-1

Endwalldetails

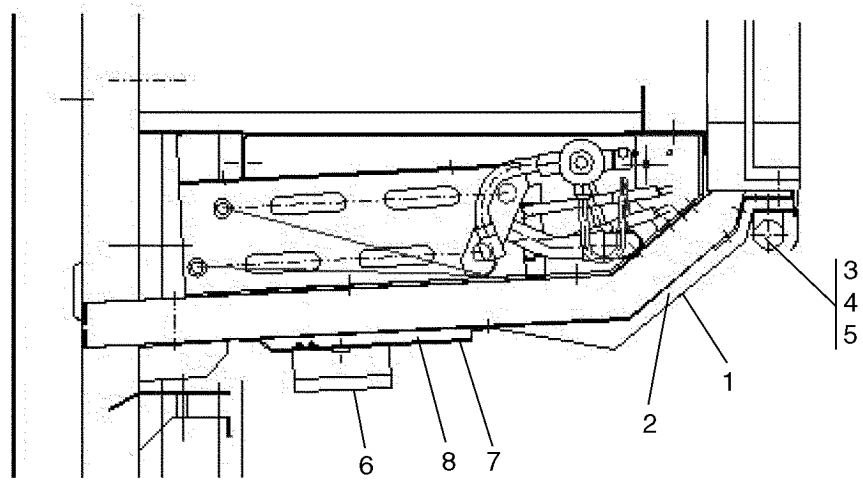
Gaveldetaljer

Illustration Issue Month Year  
Illustration Utgåva Månad År  
200343/1 1 1 2001

Item Pos.	Quantity Antal	Art.No Art.nr	Description	Benämning	Info Info	Notes Anmärkning
13		0000089410239	Basepanel endwall perforated This is an accessory part	Sockel gavel perforerad Detta är ett tillbehör		Choose colour See Prical system, group 90
14		0000089410241	Basepanel endwall perforated, back-back This is an accessory part	Sockel gavel perforerad, rygg-rygg Detta är ett tillbehör		Choose colour See Prical system, group 90
15		0000896050213	Endwall boxend, left This is an accessory part	Gavel boxend, vänster Detta är ett tillbehör		Choose colour See Prical system, group 14
		0000896050214	Endwall boxend right This is an accessory part	Gavel boxend, höger Detta är ett tillbehör		Choose colour See Prical system, group 14
16		4660822026021	Plastic plug	Plastplugg	1	IKPK 25/22 White Not showed









Numerical index/Nummerregister

Art.No/Art.nr	Page/Sida	Art.No/Art.nr	Page/Sida	Art.No/Art.nr	Page/Sida	Art.No/Art.nr	Page/Sida
000088676058	5	4660007323721	5	4660009447101	13	466084183033F	17
000088676059	5	4660007391301	5	4660009447102	13	466084183034E	17
000089410239	13	4660008238934	5	4660009450001	9	466084183035I	17
000089410239	15	4660008258901	7	4660009450002	9	466084183037C	17
000089410241	13	4660008258902	7	4660009455602	5	466084183042R	17
000089410241	15	4660008291101	17	4660009455603	5	466084183043F	17
0000886010001	5	4660008418303	17	4660009455604	5	466084183044E	17
0000886010002	5	4660008418304	17	4660009455605	5	466084183044Q	17
0000886010013	5	4660008550602	17	4660009455606	5	466084183045I	17
0000886010014	5	4660008553003	17	4660009455607	5	466084183047C	17
0000894000139	3	4660009049702	7	4660009455608	5	466085506022R	17
0000894000140	3	4660009277604	3	4660009455701	3	466085506023F	17
0000896050013	13	4660009277605	3	4660009474302	3	466085506024E	17
0000896050014	13	4660009354504	3	4660009474801	13	466085506024Q	17
0000896050113	13	4660009354505	3	4660082428428	5	466085506025I	17
0000896050114	13	4660009400101	3	4660094731A01	19	466085506027C	17
0000896050213	15	4660009400102	3	4660094731A02	19	466090497022R	7
0000896050214	15	4660009400401	3	4660622101814	3	466090497023F	7
4660000202115	9	4660009400402	3	4660624111411	5	466090497024E	7
4660000202117	9	4660009406101	3	4660624411010	5	466090497024Q	7
4660000207033	9	4660009406102	3	4660624411012	5	466090497025I	7
4660000207034	9	4660009406901	3	4660624411210	5	466090497027C	7
4660000207552	9	4660009406902	3	4660761810019	3	466094179017F	3
4660000207788	9	4660009410101	3	4660761810019	19	466094179027F	3
4660000208930	9	4660009410301	3	4660761811012	3		
4660000495206	9	4660009410302	3	4660761811012	19		
4660000495208	9	4660009410601	3	4660761811016	3		
4660000550516	9	4660009410602	3	4660761811016	5		
4660000572825	9	4660009410701	3	4660761811016	19		
4660000704401	9	4660009411701	3	4660761811214	3		
4660000707766	9	4660009411702	3	4660761811214	5		
4660000707885	9	4660009411703	3	4660761811214	19		
4660000707886	9	4660009412401	3	4660763511010	9		
4660000709327	9	4660009412601	3	4660763511210	5		
4660000709601	9	4660009412701	3	4660763513010	5		
4660000711502	9	4660009412702	3	4660763513610	9		
4660000711602	9	4660009413201	3	4660763516610	9		
4660000711603	9	4660009413202	3	4660763516810	5		
4660000714801	9	4660009417101	3	4660763518210	9		
4660000720701	9	4660009417201	5	4660763518410	5		
4660000721801	9	4660009417202	5	4660763519110	9		
4660000724635	9	4660009418101	7	4660763519310	5		
4660000724712	9	4660009418102	7	4660767200200	5		
4660000724816	9	4660009421601	19	4660767900100	3		
4660000724916	9	4660009421602	19	4660768000100	5		
4660000724935	9	4660009421701	19	4660822026021	13		
4660000724947	9	4660009421702	19	4660822026021	15		
4660000725019	9	4660009422801	3	466082589012R	7		
4660000731732	9	4660009422802	3	466082589013F	7		
4660000732710	11	4660009425901	3	466082589014E	7		
4660000732812	11	4660009426001	3	466082589014Q	7		
4660000737102	9	4660009426002	3	466082589015I	7		
4660000738102	9	4660009426801	5	466082589017C	7		
4660000746341	9	4660009426802	5	466082589022R	7		
4660000746455	9	4660009426901	5	466082589023F	7		
4660000750905	9	4660009426902	5	466082589024E	7		
4660000766701	9	4660009427103	5	466082589024Q	7		
4660000770801	9	4660009427201	5	466082589025I	7		
4660000774801	9	4660009427504	3	466082589027C	7		
4660000779101	9	4660009427504	19	466082911012R	17		
4660000780101	9	4660009427506	3	466082911013F	17		
4660000784001	9	4660009427506	19	466082911014E	17		
4660000784002	9	4660009428001	9	466082911014Q	17		
4660000784204	9	4660009437501	3	466082911015I	17		
4660000784206	9	4660009439201	13	466082911017C	17		
4660000793901	9	4660009446801	13	466084183032R	17		



Electrolux Commercial Refrigeration AB, Box 53, SE-360 44 Ingelstad, Sweden  
Phone +46 470 734 400, Fax +46 470 734 496

Spareparts Distribution By: Electrolux Wascator Spareparts Division, SE-341 80 Ljungby, Sweden  
Phone +46 372 661 00. Fax +46 372 861 75. E-mail: [spare.parts@wascator.electrolux.se](mailto:spare.parts@wascator.electrolux.se)